

St. County Road Commission Bid Spec For 66,000 GVW Plow Truck

NOTICE IS HEREBY GIVEN THAT SEALED PROPOSALS ARE SOUGHT AND REQUESTED FOR THE FOLLOWING:

BID NAME: ONE (1) 2020 4900SB WESTERN STAR TANDEM-AXLE PLOW TRUCK

BID OPENING:	DECEMBER 21, 2018 – 1:00 PM. LOCAL PREVAILING TIME.
---------------------	--

CONTACT PERSON: Deborah Martin – Administrative Assistant for Operations

PLACE OF OPENING: St. Clair County Road Commission
21 Airport Drive, St. Clair, MI 48079

PHONE: 810-364-5720

Vendors must submit their Bid in a sealed envelope. Please print the following on the face of the envelope:

- Name and address of the bidder
- Bid Name – **“ONE (1) 2020 4900SB WESTERN STAR TANDEM-AXLE PLOW TRUCK”**

PROVISIONS

1. You are urged to mail your bid in early. Late bids will not be accepted and will be returned unopened to the vendor
2. Proposals must be submitted on the forms provided by the St. Clair County Road Commission. Forms are to be filled out in their entirety. No substitutions allowed.
3. The submission of this bid certifies that the bidder has read, is familiar with, and will comply with any and all segments of these specifications as described below.
4. Bids that do not have all the applicable lines filled in on the bid sheet may be disqualified as a non-responsive bid. We will not assume that the product meets specification when lines are left blank. If it is necessary to bid alternate equipment or to take exceptions to the specifications as set forth, this must be so stated in your bid. For each item, please place an X on the appropriate line to signify whether or not you are in complete compliance with the specification. Failure to follow the format or answer the specification may cause your bid to be disqualified. If you need extra space to describe your product, please feel free to attach extra sheets. When doing this, be sure your description references the appropriate question number. Any exceptions to the specifications, lines marked “No”, must be fully explained in the comment section and will only be considered if advantageous to the St. Clair County Road Commission
5. The bidder must submit with their bid, detailed specifications and necessary information (product literature) on the item(s) bid.
6. The bid will be awarded to the vendor that supplies the bid items that is in the best interest of the St. Clair County Road Commission
7. The Board of County Road Commissioners of St. Clair County reserves the right to reject any or all bids, waive any irregularities, or to make the award in part or its entirety.
8. This equipment is to be delivered FOB to St. Clair County Road Commission, 21 Airport Drive, St. Clair, MI 48079.
9. **Regulations**
 1. All products must meet all applicable Local, State, and Federal regulations. Yes No

**St. County Road Commission Bid Spec
For 66,000 GVW Plow Truck**

10. Warranty

Standard limited warranty will be required of the manufacturer of the products that shall be:

1. All items shall be guaranteed for a minimum period of one (1) year against defective parts and workmanship. Yes No
2. All defective parts and labor are the obligation of the vendor during this period Yes No
3. Copy of warranty should accompany bid documents. Yes No

If defects occur during this time, the defective product shall be replaced or corrected by the contractor without cost to the County except where it shall be clearly shown that the defect is due to misuse and not to faulty manufacture or installation.

11. Guarantee

1. The bidder guarantees that the item(s) offered is standard new product. Yes No

12. Fair employment practices

THE CONTRACTOR AGREES THAT HE WILL NOT DISCRIMINATE AGAINST ANY EMPLOYEE OR APPLICANT FOR EMPLOYMENT, TO BE EMPLOYED IN THE PERFORMANCE OF THIS CONTRACT WITH RESPECT TO HIS HIRE, TENURE, TERMS, CONDITIONS OR PRIVILEGES OF EMPLOYMENT OR ANY MATTER DIRECTLY OR INDIRECTLY RELATED TO EMPLOYMENT BECAUSE OF HIS AGE, EXCEPT WHEN BASED ON A BONA FIDE OCCUPATION QUALIFICATION OR BECAUSE OF HIS RACE, COLOR, RELIGION, NATIONAL ORIGIN OR ANCESTRY (ACT NO. 251 P.A. 1955, AS AMENDED).

13. Payment

Before payment of the final estimate or payment of any retainage, the Road Commission will ascertain that the work has been performed in accordance with the plans and specifications or with such modifications thereof as may have been approved.

Payment cannot be processed by the Road Commission until all contract items have been delivered in satisfactory condition with an invoice referring to the Purchase Order Number and mailed to / billed to the address indicated on the Purchase Order.

If agreed specifications are not met, the St. Clair County Road Commission reserves the right to hold payment until concerns are addressed and final agreement is settled.

14. Notice

The **ST. CLAIR COUNTY ROAD COMMISSION** in accordance with Title VI of the Civil Rights Acts of 1964, 78-252, 42 U.S.C. 2000d-222d-4, the Civil Rights Act of 1987, P.L. 100-259, and Title 49, Code of Federal Regulations, Department of Transportation, subtitle A, Office of the Secretary, Part 21, Non-discrimination in federally assisted programs of the Department of Transportation issued pursuant to such Act, hereby notifies all bidders that it will affirmatively insure that in any contract entered into pursuant to this advertisement, Disadvantaged Business Enterprise firms will be afforded full opportunity to submit bids in response to this invitation and will not be discriminated against on the grounds of Race, Color Sex, Age, National Origin, or Handicap in consideration for an award.

**St. County Road Commission Bid Spec
For 66,000 GVW Plow Truck**

**SECTION I – GENERAL SPECIFICATIONS FOR ONE (1) 66,000 GVW
TANDEM-AXLE PLOW TRUCK**

		Description		Yes	No
Price Level					
		WESTERN STAR PRL-18W (EFF:04/17/18)			
Data Version					
		SPECPRO21 DATA RELEASE VER 030			
Vehicle Configuration					
		WESTERN STAR 4900SA CHASSIS			
		2020 MODEL YEAR SPECIFIED			
		SET BACK AXLE - TRUCK			
		TRAILER TOWING PROVISION AT END OF FRAME FOR TRUCK			
		LH PRIMARY STEERING LOCATION			
General Service					
		TRUCK/TRAILER CONFIGURATION			
		DOMICILED, USA 50 STATES (INCLUDING CALIFORNIA AND CARB OPT-IN STATES)			
		CONSTRUCTION SERVICE			
		GOVERNMENT BUSINESS SEGMENT			
		DIRT/SAND/ROCK COMMODITY			
		TERRAIN/DUTY: 100% (ALL) OF THE TIME, IN TRANSIT, IS SPENT ON PAVED ROADS			
		MAXIMUM 8% EXPECTED GRADE			
		SMOOTH CONCRETE OR ASPHALT PAVEMENT - MOST SEVERE IN-TRANSIT (BETWEEN SITES) ROAD SURFACE			
		WESTERN STAR VOCATIONAL WARRANTY			
		EXPECTED FRONT AXLE(S) LOAD : 20000.0 lbs			
		EXPECTED REAR DRIVE AXLE(S) LOAD : 46000.0 lbs			
		EXPECTED GROSS VEHICLE WEIGHT CAPACITY : 66000.0 lbs			
		EXPECTED GROSS COMBINATION WEIGHT : 80000.0 lbs			
Truck Service					
		FRONT PLOW/END DUMP BODY			
		EXPECTED EMPTY BODY WEIGHT : 4300.0 lbs			
		EXPECTED TRUCK BODY LENGTH : 14.0 ft			

**St. County Road Commission Bid Spec
For 66,000 GVW Plow Truck**

		Description		Yes	No
		EXPECTED TRUCK BODY WIDTH : 96.0 in			
		EXP EMPTY BODY CG LOC FROM BODY FRT(A89) : 5.9 ft			
		BRAKING-EXPECTED CAB TO BODY CLEARANCE : 3.0 in			
		EXPECTED BODY/PAYLOAD CG HEIGHT ABOVE FRAME "XX" INCHES : 32.0 in			
Engine					
		DETROIT DD13 12.8L 450 HP @ 1625 RPM, 1900 GOV RPM, 1650 LB/FT @ 975 RPM			
Electronic Parameters					
		65 MPH ROAD SPEED LIMIT			
		CRUISE CONTROL SPEED LIMIT SAME AS ROAD SPEED LIMIT			
		5 MINUTES IDLE SHUTDOWN WITH CLUTCH AND SERVICE BRAKE OVERRIDE			
		PTO MODE BRAKE OVERRIDE - SERVICE BRAKE APPLIED OR PARK BRAKE NOT APPLIED			
		PTO MODE RPM INCREMENT - 25 RPM			
		ONE REMOTE PTO SPEED			
		PTO SPEED 1 SETTING - 800 RPM			
		SOFT CRUISE CONTROL ENABLED			
Engine Equipment					
		2016 ONBOARD DIAGNOSTICS/2010 EPA/CARB/FINAL GHG17 CONFIGURATION			
		2008 CARB EMISSION CERTIFICATION - CLEAN IDLE (INCLUDES 6X4 INCH LABEL ON LOWER FORWARD CORNER OF DRIVER DOOR)			
		STANDARD OIL PAN			
		ENGINE MOUNTED OIL CHECK AND FILL			
		ONE PIECE VALVE COVER			
		CENTER TOP OF COWL INLET WITH INSIDE/OUTSIDE AIR INTAKE			
		DR 12V 160 AMP 28-SI QUADRAMOUNT PAD ALTERNATOR WITH REMOTE BATTERY VOLT SENSE			
		(3) DTNA GENUINE, HIGH TEMP AGM STARTING AND CYCLING, MIN 2775CCA, 570RC, THREADED STUD BATTERIES			
		PASSENGER SEAT BATTERY BOX VENTED TO OUTSIDE OF CAB			
		BATTERY BOX MOUNTED UNDER PASSENGER SEAT			
		WIRE GROUND RETURN FOR BATTERY CABLES WITH ADDITIONAL FRAME GROUND RETURN			

**St. County Road Commission Bid Spec
For 66,000 GVW Plow Truck**

		Description		Yes	No
		PLASTIC BATTERY BOX COVER			
		NEGATIVE BATTERY SHUTOFF SWITCH FOR DD13/15/16 IN CAB OUTBOARD DRIVER SEAT WITH LOCKING PROVISION, PARTIALLY PDI INSTALLED			
		POSITIVE AND NEGATIVE POSTS FOR JUMPSTART LOCATED ON FRAME NEXT TO STARTER			
		BW MODEL BA-921 19.0 CFM SINGLE CYLINDER AIR COMPRESSOR WITH SAFETY VALVE			
		AIR COMPRESSOR DISCHARGE LINE			
		ELECTRONIC ENGINE INTEGRAL SHUTDOWN PROTECTION SYSTEM			
		JACOBS COMPRESSION BRAKE			
		RH OUTBOARD FRAME MOUNTED VERTICAL AFTERTREATMENT SYSTEM ASSEMBLY WITH TOPSTACK			
		ENGINE AFTERTREATMENT DEVICE, AUTOMATIC OVER THE ROAD REGENERATION AND DASH MOUNTED REGENERATION REQUEST SWITCH			
		11 FOOT 06 INCH (138 INCH+0/-5.9 INCH) EXHAUST SYSTEM HEIGHT			
		RH CURVED TOPSTACK			
		23 GALLON DIESEL EXHAUST FLUID TANK			
		100 PERCENT DIESEL EXHAUST FLUID FILL			
		NON-POLISHED ALUMINUM DIESEL EXHAUST FLUID TANK COVER			
		LH HEAVY DUTY STANDARD DIESEL EXHAUST FLUID TANK LOCATION			
		STANDARD DIESEL EXHAUST FLUID TANK CAP			
		STAINLESS STEEL AFTERTREATMENT DEVICE/MUFFLER/TAILOPIPE SHIELD			
		BORG WARNER (KYSOR) REAR AIR ON/OFF ENGINE FAN CLUTCH			
		AUTOMATIC FAN CONTROL WITH DASH SWITCH AND INDICATOR LIGHT, NON ENGINE MOUNTED			
		DDC SUPPLIED ENGINE MOUNTED FUEL FILTER/FUEL WATER SEPARATOR WITH WATER-IN-FUEL INDICATOR			
		FULL FLOW OIL FILTER			
		1375 SQUARE INCH ALUMINUM RADIATOR			
		MOUNTING FOR FIREWALL MOUNTED SURGE TANK			
		ANTIFREEZE TO -34F, OAT (NITRITE AND SILICATE FREE) EXTENDED LIFE COOLANT			

**St. County Road Commission Bid Spec
For 66,000 GVW Plow Truck**

		Description		Yes	No
		GATES BLUE STRIPE COOLANT HOSES OR EQUIVALENT			
		CONSTANT TENSION HOSE CLAMPS FOR COOLANT HOSES			
		HDEP FIXED RATIO COOLANT PUMP AND RADIATOR DRAIN VALVE			
		1350 ADAPTER FLANGE FOR FRONT PTO PROVISION			
		MITSUBISHI 12V MOD 3.175-DP60 STARTER WITH INTEGRATED MAGNETIC SWITCH			
		CAST IRON FRONT AND REAR ENGINE SUPPORTS			
Transmission					
		ALLISON 4500 RDS AUTOMATIC TRANSMISSION WITH PTO PROVISION			
Transmission Equipment					
		ALLISON VOCATIONAL PACKAGE 223 - AVAILABLE ON 3000/4000 PRODUCT FAMILIES WITH VOCATIONAL MODELS RDS, HS, MH AND TRV			
		ALLISON VOCATIONAL RATING FOR ON/OFF HIGHWAY APPLICATIONS AVAILABLE WITH ALL PRODUCT FAMILIES			
		PRIMARY MODE GEARS, LOWEST GEAR 1, START GEAR 1, HIGHEST GEAR 6, AVAILABLE FOR 3000/4000 PRODUCT FAMILIES ONLY			
		SECONDARY MODE GEARS, LOWEST GEAR 1, START GEAR 1, HIGHEST GEAR 6, AVAILABLE FOR 3000/4000 PRODUCT FAMILIES ONLY			
		PRIMARY SHIFT SCHEDULE RECOMMENDED BY DTNA AND ALLISON, THIS DEFINED BY ENGINE AND VOCATIONAL USAGE			
		SECONDARY SHIFT SCHEDULE RECOMMENDED BY DTNA AND ALLISON, THIS DEFINED BY ENGINE AND VOCATIONAL USAGE			
		PRIMARY SHIFT SPEED RECOMMENDED BY DTNA AND ALLISON, THIS DEFINED BY ENGINE AND VOCATIONAL USAGE			
		SECONDARY SHIFT SPEED RECOMMENDED BY DTNA AND ALLISON, THIS DEFINED BY ENGINE AND VOCATIONAL USAGE			
		LOAD BASED SHIFT SCHEDULE AND VEHICLE ACCELERATION CONTROL RECOMMENDED BY DTNA AND ALLISON, THIS DEFINED VOCATIONAL USAGE			
		ELECTRONIC TRANSMISSION CUSTOMER ACCESS CONNECTOR FIREWALL MOUNTED			
		CUSTOMER INSTALLED CHELSEA 277 SERIES PTO			

**St. County Road Commission Bid Spec
For 66,000 GVW Plow Truck**

		Description		Yes	No
		PTO MOUNTING, LH SIDE OF MAIN TRANSMISSION			
		PUSH BUTTON ELECTRONIC SHIFT CONTROL, DASH MOUNTED			
		TRANSMISSION PROGNOSTICS - ENABLED 2013			
		WATER TO OIL TRANSMISSION COOLER			
		TRANSMISSION OIL CHECK AND FILL WITH ELECTRONIC OIL LEVEL CHECK			
		SYNTHETIC TRANSMISSION FLUID (TES-295 COMPLIANT)			
Front Axel and Equipment					
		DETROIT DA-F-20.0-5 20,000# FL1 71.0 KPI/3.74 DROP SINGLE FRONT AXLE			
		MERITOR 16.5X6 Q+ CAST SPIDER CAM FRONT BRAKES, DOUBLE ANCHOR, FABRICATED SHOES			
		NON-ASBESTOS FRONT BRAKE LINING			
		CONMET CAST IRON FRONT BRAKE DRUMS			
		FRONT BRAKE DUST SHIELDS			
		FRONT OIL SEALS			
		VENTED FRONT HUB CAPS WITH WINDOW, CENTER AND SIDE PLUGS - OIL			
		STANDARD SPINDLE NUTS FOR ALL AXLES			
		MERITOR AUTOMATIC FRONT SLACK ADJUSTERS			
		TRW THP-60 POWER STEERING WITH RCH45 AUXILIARY GEAR			
		POWER STEERING PUMP			
		4 QUART POWER STEERING RESERVOIR			
		OIL/AIR POWER STEERING COOLER			
		SYNTHETIC 75W-90 FRONT AXLE LUBE			
Front Suspension					
		23,000# FLAT LEAF FRONT SUSPENSION			
		THREADED SPRING PINS AND BUSHINGS - FRONT SUSPENSION			
		ALUMINUM SPACER BLOCKS FOR FRONT SUSPENSIONS			
		FRONT SHOCK ABSORBERS			
Rear Axle and Equipment					
		RT-46-160P 46,000# R-SERIES TANDEM REAR AXLE			
		4.89 REAR AXLE RATIO			

**St. County Road Commission Bid Spec
For 66,000 GVW Plow Truck**

		Description		Yes	No
		IRON REAR AXLE CARRIER WITH STANDARD AXLE HOUSING			
		MXL 18T MERITOR EXTENDED LUBE MAIN DRIVELINE WITH HALF ROUND YOKES			
		MXL 17N MERITOR EXTENDED LUBE INTERAXLE DRIVELINE WITH FULL ROUND YOKES			
		DRIVER CONTROLLED TRACTION DIFFERENTIAL - BOTH TANDEM REAR AXLES			
		(1) INTERAXLE LOCK VALVE, (1) DRIVER CONTROLLED DIFFERENTIAL LOCK FORWARD-REAR AXLE VALVE AND (1) REAR-REAR AXLE VALVE			
		INDICATOR LIGHT FOR EACH INTERAXLE LOCKOUT SWITCH			
		INDICATOR LIGHT FOR EACH DRIVER CONTROLLED TRACTION DEVICE SWITCH			
		MERITOR 16.5X7 Q+ CAST SPIDER CAM REAR BRAKES, DOUBLE ANCHOR, FABRICATED SHOES			
		NON-ASBESTOS REAR BRAKE LINING			
		BRAKE CAMS AND CHAMBERS ON FORWARD SIDE OF DRIVE AXLE(S)			
		CONMET CAST IRON REAR BRAKE DRUMS			
		REAR BRAKE DUST SHIELDS			
		REAR OIL SEALS			
		WABCO TRISTOP D LONGSTROKE 2-DRIVE AXLE SPRING PARKING CHAMBERS			
		HALDEX AUTOMATIC REAR SLACK ADJUSTERS			
		SYNTHETIC 75W-90 REAR AXLE LUBE			
		STANDARD REAR AXLE BREATHER(S)			
Rear Suspension					
		TUFTRAC 46,000# REAR SPRING SUSPENSION			
		TUFTRAC STANDARD RIDE HEIGHT			
		AXLE CLAMPING GROUP			
		56 INCH AXLE SPACING			
		FORE/AFT AND TRANSVERSE CONTROL RODS			
		REAR SHOCK ABSORBERS - TWO AXLES (TANDEM)			
Brake System					
		WABCO 4S/4M ABS WITH TRACTION CONTROL, WITH ATC OFF-ROAD SWITCH			
		REINFORCED NYLON AIR LINES			
		FIBER BRAID PARKING BRAKE HOSE			

**St. County Road Commission Bid Spec
For 66,000 GVW Plow Truck**

		Description		Yes	No
		STANDARD BRAKE SYSTEM VALVES			
		COMBINATION ABS/SERVICE BRAKE VALVE WITH ATC, 5.5 PSI CRACK PRESSURE			
		BW AD-9SI BRAKE LINE AIR DRYER WITH HEATER			
		BENDIX OIL COALESCING FILTER FOR AIR DRYER			
		AIR DRYER MOUNTED OUTBOARD ON LH RAIL			
		STEEL AIR BRAKE RESERVOIRS MOUNTED INSIDE RAIL			
		BW DV-2 AUTO DRAIN VALVE WITH HEATER ON WET TANK ONLY AND PETCOCKS ON ALL OTHER TANKS			
Trailer Connections					
		NO TRAILER AIR HOSE			
		AIR CONNECTIONS TO END OF FRAME WITH GLAD HANDS FOR TRUCK AND NO DUST COVERS			
		PRIMARY CONNECTOR/RECEPTACLE WIRED FOR SEPARATE STOP/TURN, ABS CENTER PIN POWERED THROUGH IGNITION			
		SAE J560 7-WAY PRIMARY CABLE RECEPTACLE MOUNTED END OF FRAME WITH 36" ADDITIONAL CABLE AT REAR CROSSMEMBER			
		NO TRAILER ELECTRICAL CABLE			
Wheelbase & Frame					
		5350MM (211 INCH) WHEELBASE			
		3/8X3-1/2X10-3/4 INCH STEEL FRAME 120KSI			
		2025MM (80 INCH) REAR FRAME OVERHANG			
		FRAME OVERHANG RANGE: 71 INCH TO 80 INCH			
		24 INCH INTEGRAL FRONT FRAME EXTENSION			
		CALC'D BACK OF CAB TO REAR SUSP C/L (CA) : 137.6 in			
		CALCULATED EFFECTIVE BACK OF CAB TO REAR SUSPENSION C/L (CA) : 119.73 in			
		CALC'D FRAME LENGTH - OVERALL : 364.3			
		CALC'D SPACE AVAILABLE FOR DECKPLATE : 138.0 in			
		CALCULATED FRAME SPACE LH SIDE : 57.74 in			
		CALCULATED FRAME SPACE RH SIDE : 192.08 in			
		UNDERSLUNG CROSSMEMBER			
		SQUARE END OF FRAME			
		HEAVY DUTY FRONT CLOSING CROSSMEMBER			

**St. County Road Commission Bid Spec
For 66,000 GVW Plow Truck**

		Description		Yes	No
		EXTRA HEAVY DUTY STEEL C-CHANNEL BOLTED CONSTRUCTION BACK OF TRANSMISSION CROSSMEMBER			
		EXTRA HEAVY DUTY STEEL C-CHANNEL BOLTED CONSTRUCTION MIDSHIP #1 CROSSMEMBER			
		1/4 INCH STEEL C-CHANNEL CROSSMEMBER WITHOUT A-FRAME, NON-TOWING			
		EXTRA HEAVY DUTY STEEL C-CHANNEL BOLTED CONSTRUCTION REAR SUSPENSION FORWARD CROSSMEMBER			
		STANDARD SUSPENSION CROSSMEMBER			
		EXTRA HEAVY DUTY STEEL C-CHANNEL BOLTED CONSTRUCTION REAR MOUNTED SUSPENSION CROSSMEMBER			
Chassis Equipment					
		NO LH OR RH BACK OF CAB ACCESS			
		NO DECK PLATE			
		TEMPORARY STEEL BUMPER			
		NO FRONT TOW HOOKS			
		NO MUDFLAP BRACKETS			
		NO REAR MUDFLAPS			
		FENDER MOUNTED FRONT MUDFLAPS			
		GRADE 8 THREADED HEX HEADED FRAME FASTENERS			
		STACK TOOL BOX			
		SINGLE TOOL/STORAGE BOX #1 FRAME MOUNTED LH SIDE UNDER CAB			
		12.19X27.25X31.38 INCH ALUMINUM TOOL BOX WITH REMOVABLE COVER			
		SINGLE TOOL/STORAGE BOX #2 FRAME MOUNTED RH SIDE UNDER CAB			
		1/2 INCH T1 STEEL OUTER FULL FRONT FRAME EXTENSION REINFORCEMENT			
Fifth Wheel					
		NO FIFTH WHEEL			
Fuel Tanks					
		60 GALLON/227 LITER ALUMINUM FUEL TANK - LH			
		25 INCH DIAMETER FUEL TANK(S)			
		PLAIN ALUMINUM/PAINTED STEEL FUEL/HYDRAULIC TANK(S) WITH PAINTED BANDS			
		FUEL TANK(S) AFT			

**St. County Road Commission Bid Spec
For 66,000 GVW Plow Truck**

	Description	Yes	No
	MOUNT TANK AS FAR BACK AS POSSIBLE		
	LH FULL LENGTH FUEL TANK STEPS		
	PLAIN STEP FINISH		
	FUEL TANK CAP(S)		
	EQUIFLO INBOARD FUEL SYSTEM		
	HIGH TEMPERATURE REINFORCED NYLON FUEL LINE		
	FUEL COOLER		
	IN TANK FUEL LEVEL SENDER(S)		
Tires			
	MICHELIN XZY-3 385/65R22.5 18 PLY RADIAL FRONT TIRES		
	MICHELIN X MULTI D 11R22.5 14 PLY RADIAL REAR TIRES		
Hubs			
	CONMET PRESET PLUS PREMIUM IRON FRONT HUBS		
	CONMET PRESET PLUS PREMIUM ALUMINUM REAR HUBS		
Wheels			
	ACCURIDE 29807 22.5X12.25 10-HUB PILOT 4.75 INSET 5-HAND STEEL DISC FRONT WHEELS		
	ACCURIDE 28828 22.5X8.25 10-HUB PILOT 2-HAND HD STEEL DISC REAR WHEELS		
	FRONT WHEEL MOUNTING NUTS		
	REAR WHEEL MOUNTING NUTS		
	NYLON WHEEL GUARDS FRONT AND REAR ALL INTERFACES		
Cab Exterior			
	123 INCH BBC STEEL CONVENTIONAL CAB		
	WESTERN STAR PAINTED ALUMINUM CAB SKIRT		
	RAISED AIR CAB MOUNTS WITH CHECK VALVE		
	STAINLESS STEEL SILL PLATES		
	NONREMOVABLE BUGSCREEN MOUNTED BEHIND GRILLE		
	LARGE PROFILE FRONT FENDER		
	2-3/4 INCH FENDER EXTENSIONS		
	LH AND RH EXTENDED EXTERIOR GRAB HANDLES WITH RUBBER INSERTS AND LH AND RH INTERIOR GRAB HANDLES MOUNTED TO A POST		

**St. County Road Commission Bid Spec
For 66,000 GVW Plow Truck**

		Description		Yes	No
		STAINLESS STEEL RADIATOR SHELL/HOOD BEZEL WITH STYLIZED TILT HOOD HANDLE			
		RADIATOR MOUNTED GRILLE			
		GALVANEAELED STEEL SEVERE SERVICE CAB			
		SUPER VISIBILITY HOOD WITH CAB MOUNTED QUARTER FENDERS			
		HEAVY DUTY HOOD MOUNTING			
		DUAL ROUND AIR HORNS, SINGLE BASE, MOUNTED UNDER CAB			
		SINGLE ELECTRIC HORN			
		DOORS AND IGNITION KEYED THE SAME			
		DUAL RECTANGULAR HALOGEN HEADLIGHTS			
		LED MARKER LAMPS			
		DAYTIME RUNNING LIGHTS			
		LED STOP/TAIL/TURN WITH INCANDESCENT BACKUP LIGHTS MOUNTED IN BOX UNDER END OF FRAME			
		LED SQUARE CHROME FENDER MOUNTED FRONT TURN SIGNALS			
		DUAL WEST COAST STAINLESS STEEL HEATED MIRRORS WITH LH AND RH REMOTE			
		DOOR MOUNTED MIRRORS			
		102 INCH EQUIPMENT WIDTH			
		LH AND RH 8 INCH STAINLESS STEEL CONVEX MIRRORS MOUNTED BELOW PRIMARY MIRRORS			
		RH DOWN VIEW MIRROR			
		STANDARD SIDE/REAR REFLECTORS			
		DUAL LEVEL CAB ENTRY STEPS ON BOTH SIDES			
		17.5X35 INCH TINTED REAR WINDOW			
		TINTED DOOR GLASS			
		RH AND LH ELECTRIC POWERED WINDOWS			
		2-PIECE TINTED CURVED BONDED WINDSHIELD			
		1.5 GALLON WINDSHIELD WASHER RESERVOIR MOUNTED UNDER CAB WITH REMOTE FILL			
Cab Interior					
		GRAY VINYL BASE INTERIOR			
		BLACK HARD TRIM			
		BASE LEFT HAND DOOR TRIM			
		BASE RIGHT HAND DOOR TRIM			
		BLACK MATS WITH DOUBLE INSULATION			

**St. County Road Commission Bid Spec
For 66,000 GVW Plow Truck**

		Description		Yes	No
		DASH MOUNTED ASH TRAY AND LIGHTER, DRIVER SIDE			
		FORWARD ROOF MOUNTED CONSOLE			
		PASSENGER SIDE WING DASH MOUNTED GLOVE BOX WITH LOCKING DOOR			
		LH AND RH DOOR MAP POCKETS			
		(2) COAT HOOKS ON BACKWALL OF CAB			
		NO CUP/THERMOS HOLDER			
		BLACK SOFT TOUCH WING DASH WITH DRIVER SIDE COSMETIC UNDER DASH COVER			
		STANDARD WIRING			
		5 LB. FIRE EXTINGUISHER			
		HEATER, DEFROSTER AND AIR CONDITIONER WITH CONSTANT TEMPERATURE CONTROL AND COSMETIC COVER			
		HVAC DUCTING WITH MAIN FRESH AIR FILTER			
		STANDARD HEATER PLUMBING WITH BALL SHUTOFF VALVES AT SUPPLY LINES ONLY			
		DENSO HEAVY DUTY AIR CONDITIONER COMPRESSOR			
		RADIATOR MOUNTED AIR CONDITIONER CONDENSER			
		ADDITIONAL CAB SIDEWALL INSULATION			
		AUTOMATIC SELF-RESET CIRCUIT BREAKER IN MAIN DASH POWER DISTRIBUTION BOX AND CIRCUIT BREAKER/FUSE IN AUXILIARY POWER DISTRIBUTION BOXES			
		DOOR ACTIVATED DOME LIGHT, UNDER DASH LIGHT AND LH AND RH DOOR MOUNTED COURTESY LIGHTS			
		CAB DOOR LATCHES WITH MANUAL DOOR LOCKS			
		BRIGHT DOOR HANDLES			
		(2) 12 VOLT POWER RECEPTACLES PLATE MOUNTED IN DASH			
		TRIANGULAR REFLECTORS KIT WITHOUT FLARES SHIPPED LOOSE IN CAB			
		PREMIUM HIGH BACK AIR SUSPENSION DRIVER SEAT WITH 3 CHAMBER AIR LUMBAR, INTEGRATED CUSHION EXTENSION, FORWARD AND REAR CUSHION TILT, ADJUSTABLE SHOCK ABSORBER			
		BATTERY BOX MID BACK NON SUSPENSION PASSENGER SEAT			
		DUAL DRIVER SEAT ARMRESTS, NO PASSENGER SEAT ARMRESTS			

**St. County Road Commission Bid Spec
For 66,000 GVW Plow Truck**

		Description		Yes	No
		BLACK CORDURA PLUS CLOTH DRIVER SEAT COVER			
		BLACK CORDURA PLUS CLOTH PASSENGER SEAT COVER			
		3 POINT HIGH VISIBILITY ORANGE RETRACTOR DRIVER AND PASSENGER SEAT BELTS			
		ADJUSTABLE TILT AND TELESCOPING STEERING COLUMN			
		2-SPOKE 18 INCH (450MM) BLACK STEERING WHEEL(S)			
		DRIVER AND PASSENGER INTERIOR SUN VISORS			
Instruments & Controls					
		NON-ADJUSTABLE SUSPENDED PEDALS			
		BLACK DRIVER INSTRUMENT PANEL			
		BLACK CENTER INSTRUMENT PANEL			
		STAR GAUGES WITH BLACK BEZELS			
		2 INCH PRIMARY AND SECONDARY AIR PRESSURE GAUGES			
		DASH MOUNTED AIR RESTRICTION GAUGE			
		87 DB TO 112 DB SELF-ADJUSTING BACKUP ALARM			
		CRUISE CONTROL SWITCHES IN THE CENTER PANEL			
		KEY OPERATED IGNITION SWITCH AND INTEGRAL START POSITION; 4 POSITION OFF/RUN/START/ACCESSORY			
		WARNING LAMP/LIGHT BAR DISPLAY, NON-DATA LINKED			
		HEAVY DUTY ONBOARD DIAGNOSTICS INTERFACE CONNECTOR LOCATED BELOW LH DASH			
		2 INCH ELECTRIC FUEL GAUGE			
		EMISSIONS LIMITED IDLE ADJUST			
		ELECTRICAL ENGINE COOLANT TEMPERATURE GAUGE			
		ENGINE OIL TEMPERATURE GAUGE			
		2 INCH TRANSMISSION OIL TEMPERATURE GAUGE			
		NO VEHICLE STABILITY ADVISOR OR CONTROL			
		ELECTRIC ENGINE OIL PRESSURE GAUGE			
		AM/FM/WB WORLD TUNER RADIO WITH BLUETOOTH AND USB AND AUXILIARY INPUTS, J1939			
		ROOF/OVERHEAD CONSOLE MOUNTED RADIO			

**St. County Road Commission Bid Spec
For 66,000 GVW Plow Truck**

		Description		Yes	No
		(4) RADIO SPEAKERS IN CAB			
		AM/FM ANTENNA MOUNTED ON RH FRONT A-PILLAR			
		POWER AND GROUND WIRING FOR CB RADIO IN OVERHEAD CONSOLE			
		MULTI-BAND AM/FM/WB/CB LH MIRROR MOUNTED ANTENNA SYSTEM			
		PREP KIT FOR UNDER DASH MOUNTED VHF RADIO			
		ELECTRONIC MPH SPEEDOMETER WITH SECONDARY KPH SCALE, WITH ODOMETER			
		ELECTRONIC 3000 RPM TACHOMETER WITH HOUR METER			
		VT-HU CONNECTIVITY PLATFORM HARDWARE			
		2 YEARS DETROIT CONNECT BASE PACKAGE (VIRTUAL TECHNICIAN, DETROIT CONNECT PORTAL ACCESS) FOR VT-HU CONNECTIVITY PLATFORM			
		IGNITION SWITCH CONTROLLED ENGINE STOP			
		FOUR ON/OFF ROCKER SWITCHES IN THE DASH WITH INDICATOR LIGHTS AND WIRE ROUTED TO CHASSIS AT BACK OF CAB, LABEL OPT			
		WIRE TO EOF, LABEL (1) BLADE, (1) WING, (1) SANDER, (1) TAIL GATE			
		EXTERIOR HARNESSES WRAPPED IN CONDUIT			
		BW TRACTOR PROTECTION VALVE			
		TRAILER HAND CONTROL BRAKE VALVE			
		2 INCH VOLTMETER			
		SINGLE ELECTRIC WINDSHIELD WIPER MOTOR WITH DELAY			
		CAB MARKER LIGHT AND HEADLIGHT SWITCH WITH SEPARATE SWITCH AND TERMINALS FOR CUSTOMER FURNISHED SNOW PLOW LIGHTS AND TURN SIGNALS			
		TWO VALVE PARKING BRAKE SYSTEM WITH WARNING INDICATOR			
		VSM NON CANCELING TURN SIGNAL SWITCH WITH INTEGRAL HEADLAMP DIMMER WITHOUT BRAKE OVERRIDE			
		PACIFIC INSIGHT ELECTRONIC FLASHER			
Design					
		PAINT: ONE SOLID COLOR			
Color					
		CAB COLOR A: HSB906443 YELLOW PPG BASE/CLEAR			
		CAB INTERIOR PAINTED SAME AS CAB COLOR			

**St. County Road Commission Bid Spec
For 66,000 GVW Plow Truck**

		Description		Yes	No
		BLACK, HIGH SOLIDS POLYURETHANE CHASSIS PAINT			
		POWDER WHITE (N0006EA) FRONT WHEELS/RIMS (PKWHT21, TKWHT21, W, TW)			
		POWDER WHITE (N0006EA) REAR WHEELS/RIMS (PKWHT21, TKWHT21, W, TW)			
		UNDER CAB AND INTERIOR CAB FLOOR UNDERCOATING			

Certification / Compliance

		U.S. FMVSS CERTIFICATION, EXCEPT SALES CABS AND GLIDER KITS			
--	--	---	--	--	--

Secondary Factory Options

		CORPORATE PDI CENTER OPTION INSTALLATION/MODIFICATION ONLY			
		SPECIAL NARRATIVE INSTRUCTIONS			
		PAINT SAME AS IMRON N0662HN SCHOOL BUS YELLOW			

Weight Summary

	Weight Front	Weight Rear	Total Weight
Factory Weight (estimated)	11562 lbs	8160 lbs	19722 lbs
Dealer Installed Options	0 lbs	0 lbs	0 lbs
Total Weight (estimated)	11562 lbs	8160 lbs	19722 lbs

Miscellaneous

		2016 OBD/2010 EPA/CARB/GHG17 ESCALATOR		
		2 YEARS DETROIT CONNECT BASE PACKAGE (VIRTUAL TECHNICIAN, DETROIT CONNECT PORTAL ACCESS)		
		MODEL YEAR 2020 WST ESCALATOR		
		STANDARD DESTINATION CHARGE		
		ONE COMPLETE SET OF ALL REQUIRED FILTERS; SPARE BELTS SHALL BE DELIVERED PER UNIT		
		DEALER TO PROVIDE DETAILED FACTORY BUILD SHEET (BOM) PER UNIT		
		MANUALS – 2 PARTS BOOKS, 1 SERVICE MANUAL AND 1 OPERATOR MANUAL PER UNIT - ELECTRONICALLY		
		INCLUDED IN THE ABOVE DESCRIBED MANUALS SHALL BE ENGINE, CHASSIS, TRANSMISSION, DIFFERENTIALS, ELECTRICAL		
		DIAGNOSTIC INTERFACE CONNECTOR TO BE 6-PIN, SAE J1587/1708 LOCATED BELOW DASH		
		ENGINE DIAGNOSTIC, TRANSMISSION DIAGNOSTIC, OPERATOR TRAINING SHALL BE PROVIDED AT THE SCCRC FACILITY		
		ALL DIAGNOSTIC SOFTWARE AND ISIS FOR ENGINE AND TRUCK		

**St. County Road Commission Bid Spec
For 66,000 GVW Plow Truck**

	Description	Yes	No
Warranties			
	EW4 DD13 VOC \$0 DEDUCTIBLE 7 YEAR/250,000 MILES FULL COVERAGE		
	TOWING: 5 YEARS/UNLIMITED MILES/KM EXTENDED TOWING COVERAGE \$550 CAP FEX APPLIES		
	TRUCK SHALL COME WITH A CATEGORY II ON-HIGHWAY – MINIMUM 1 YEAR UNLIMITED WARRANTY		
	ENGINE WARRANTY PERIOD SHALL BE SEVEN (7) YEARS OR 250,000 MILES WITH ZERO DEDUCTABLE – EW4 INC AFTER TREATMENT		
	TRANSMISSION WARRANTY SHALL BE FIVE (5) YEARS OR 200,000 MILES		
	DIFFERENTIAL WARRANTY SHALL BE MINIMUM THREE (3) YEARS, 300,000 MILES		
	BODY RUST THROUGH WARRANTY SHALL BE FIVE (5) YEARS, 500,000 MILES		
	FRAME RAIL WARRANTY PROVIDED SHALL BE FIVE (5) YEARS OR 500.000 MILES		
	BIDDER SHALL INCLUDE DETAILED WARRANTY INFORMATION WITH THE BID PROPOSAL		
	ALL WARRANTIES SHALL BEGIN ON THE ST. CLAIR COUNTY ROAD COMMISSION IN-SERVICE DATE OF THE TRUCK		
	WINNING BIDDER WILL SUPPLY PICKUP AND DELIVERY SERVICE FOR ALL WARRANTY ISSUES		

Category II On-highway Truck warranty period.... Standard ____ year(s)
 Extended warranty ____ years Cost \$ _____

Extended / roadside service warranty..... Standard ____ year(s)
 Extended warranty ____ years Cost \$ _____

Engine Warranty period..... Standard ____ year(s)
 Extended warranty ____ years Cost \$ _____

Transmission warranty period..... Standard ____ year(s)
 Extended warranty ____ years Cost \$ _____

Differential Warranty period..... Standard ____ year(s)
 Extended warranty ____ years Cost \$ _____

Body rust through Warranty period..... Standard ____ year(s)
 Extended warranty ____ years Cost \$ _____

Frame rail warranty period..... Standard ____ year(s)
 Extended warranty ____ years Cost \$ _____

Air Compressor..... Standard ____ year(s)
 Extended warranty ____ years Cost \$ _____

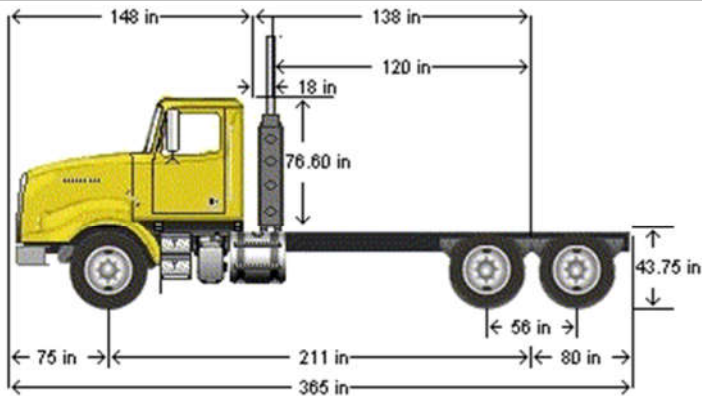
Other _____ Standard ____ year(s)
 Extended warranty ____ years Cost \$ _____

St. County Road Commission Bid Spec For 66,000 GVW Plow Truck

Dealer Installed Options

		Weight Front	Weight Rear	Price
	ELECTRIC BRAKE CONTROLLER WIRED TO EOF	0	0	
Total Dealer Installed Options		0 lbs	0 lbs	

D I M E N S I O N S



VEHICLE SPECIFICATIONS SUMMARY - DIMENSIONS

Model 4900SB
 Wheelbase (545) 5350MM (211 INCH) WHEELBASE
 Rear Frame Overhang (552) 2025MM (80 INCH) REAR FRAME OVERHANG
 Fifth Wheel (578) NO FIFTH WHEEL
 Mounting Location (577) NO FIFTH WHEEL LOCATION
 Maximum Forward Position (in) 0
 Maximum Rearward Position (in) 0
 Amount of Slide Travel (in) 0
 Slide Increment (in) 0
 Desired Slide Position (in) 0.0
 Cab Size (829) 123 INCH BBC STEEL CONVENTIONAL CAB
 Sleeper (682) NO SLEEPER BOX/SLEEPER CAB
 Exhaust System (016) RH OUTBOARD FRAME MOUNTED VERTICAL AFTERTREATMENT SYSTEM ASSEMBLY WITH TOPSTACK

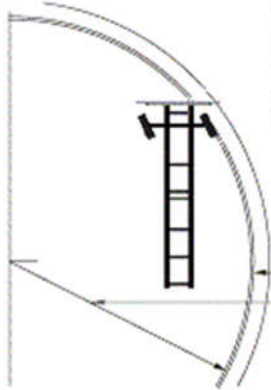
**St. County Road Commission Bid Spec
For 66,000 GVW Plow Truck**

TABLE SUMMARY - DIMENSIONS	
Dimensions	Inches
Bumper to Back of Cab (BBC)	147.6
Bumper to Centerline of Front Axle (BA)	74.6
Min. Cab to Body Clearance (CB)	3.0
Back of Cab to Centerline of Rear Axle(s) (CA)	137.6
Effective Back of Cab to Centerline of Rear Axle(s) (Effective CA)	119.7
Back of Cab Protrusions (Exhaust/Intake) (CP)	17.9
Back of Cab Protrusions (Side Extenders/Trim Tab) (CP)	0.0
Back of Cab Protrusions (CNG Tank)	0.0
Back of Cab Clearance (CL)	17.9
Back of Cab to End of Frame	217.3
Cab Height (CH)	76.6
Wheelbase (WB)	210.6
Frame Overhang (OH)	80.0
Overall Length (OAL)	364.9
Rear Axle Spacing	56.0
Unladen Frame Height at Centerline of Rear Axle	43.8

Performance calculations are estimates only. If performance calculations are critical, please contact Customer Application Engineering.

St. County Road Commission Bid Spec For 66,000 GVW Plow Truck

TURNING RADIUS



Turning radius graphic and data provided strictly for comparisons between model configurations. Weather, road surfaces, and tire treads affect the results. It is strongly suggested that actual vehicles be measured before constructing any roads/driveways using this information. For specific figures regarding your configuration, please contact your CAE representative.

	Dimensions	Tolerance
Wall to Wall Diameter (ft)	81.5	+/- 3.0
Curb to Curb Diameter (ft)	75.4	+/- 3.0
Turning Radius (ft)	37.0	+/- 1.5

VEHICLE SPECIFICATIONS SUMMARY - TURNING RADIUS

Model	4900SB
Cab Size (829).....	123 INCH BBC STEEL CONVENTIONAL CAB
Wheelbase (545)	5350MM (211 INCH) WHEELBASE
Front Tires (093).....	MICHELIN XZY-3 385/65R22.5 18 PLY RADIAL FRONT TIRES
Width (in)	16.1
Front Axle (400).....	DETROIT DA-F-20.0-5 20,000# FL1 71.0 KPI/3.74 DROP SINGLE FRONT AXLE
Kingpin Intersection (in)	71
Bumper (556)	TEMPORARY STEEL BUMPER
Width (in)	95.5
Bumper Miter to Front Axle (in)	74.06
Primary Steering Location (003)	LH PRIMARY STEERING LOCATION
Steering Gear (536).....	TRW THP-60 POWER STEERING WITH RCH45 AUXILIARY GEAR
Dual Steering Gear	RCH45
Ram.....	NONE
Rear Axle (420)	RT-46-160P 46,000# R-SERIES TANDEM REAR AXLE
Axle Spacing (624)56 INCH AXLE SPACING

Performance calculations are estimates only. If performance calculations are critical, please contact Customer Application Engineering.

**St. County Road Commission Bid Spec
For 66,000 GVW Plow Truck**

F R A M E R B M

VEHICLE SPECIFICATIONS SUMMARY - FRAME RBM

Wheelbase (545)5350MM (211 INCH) WHEELBASE
 Frame Rails (546).....3/8X3-1/2X10-3/4 INCH STEEL FRAME 120KSI(546)
 Yield Strength (psi) 120000
 Section Modulus (per rail) (cu in) 18.08
 RBM (per rail) (lbf-in) 2135700
 Inner Frame Reinforcement (547)..... NO INNER FRAME REINFORCEMENT
 Outer Frame Reinforcement (548)..... NO OUTER FRAME REINFORCEMENT

TABLE SUMMARY - FRAME RBM

Item	Description / Value
Wheelbase	5350MM (211 INCH) WHEELBASE
Frame	3/8X3-1/2X10-3/4 INCH STEEL FRAME 120KSI
Inner Frame Reinforcement	NO INNER FRAME REINFORCEMENT
Outer Frame Reinforcement	NO OUTER FRAME REINFORCEMENT
Yield Strength (psi)	120000
Section Modulus - per rail (cu. in.)	17.80
Frame RBM - per rail (lbf-in)	2135700

Performance calculations are estimates only. If performance calculations are critical, please contact Customer Application Engineering.

**St. County Road Commission Bid Spec
For 66,000 GVW Plow Truck**

**SECTION II – BODY INTEGRATION - GENERAL SPECIFICATIONS FOR
66,000 GVW SYSTEM**

This specification shall describe **conventional dump body with a cross-memberless understructure**. Bidders must submit with their bid literature and complete specifications on the unit they propose to furnish. The body and hoist must be part of a standard product line, as described in published company literature. This is to ensure engineering integrity and parts availability.

Install Crysteel 14' Crysteel Select Dump body including the following:

- Body sides and ends are constructed of 7 gauge type 201 stainless steel
- Side height is 34", tailgate height is 42"
- Western 12" I-beam type understructure
- Body floor is ¼" AR400
- Air operated tailgate
- Tailgate is 9 panel construction with 2 intermediate horizontal braces and 2 vertical intermediate braces and a boxed perimeter with 201 tailgate lift loop
- Tapered, 3 hole, light boxes on outside corner posts of dump body to house tail lights, and flashing LED lights
- ½ cab shield constructed of 7 gauge type 201 stainless steel is included
- Grip strut steps mounted inside the dump body
- Install mud flaps in front of and behind drive tires
- Dump body will be unpainted stainless steel. Body longitudinal and bottom of floor will be painted black.
- Proximity switch for body up light is included
- 3" wide Side boards painted black included
- Fold down ladder included
- Steps inside the body are also included

Install Marathon M 63138 DA hoist including the following:

- Greaseable rear hinge and replaceable rear pin
- Hoist is double acting in all stages
- Chrome cylinder walls
- Oscillating cradle

Install 34" Husting plow portion hitch including the following:

- Channel front bumper with tapered ends
- 3" DA lift cylinder
- All necessary supports and braces
- Install cushion valve for plow power reverse circuit
- Chain box installed behind front bumper
- Stainless steel hydraulic couplers as per spec for front plow disconnect
- Install rubber bumper for hood stops

Install Monroe Model MS4512 underbody scraper including the following:

- Updated scraper hinge/ hangerboard assembly**
- Moldboard has 45 degree angles on ends
- Serrated bar grating step on back side of moldboard on left side
- Ends of scraper painted orange
- 1" thick x 20" high moldboard
- ½" thick hanger board with grease manifold brackets installed

St. County Road Commission Bid Spec For 66,000 GVW Plow Truck

2-1/2" O.D. hinge shaft
Two heavy duty shock absorbers
Bolt in trunion caps for canisters; Outer arm remains bolt on style
Two 3-1/2" x 10" actuating cylinders; nitrided rods
Cushion valve
1" solid circle with 5" center pin
Center pin is piloted into hanger board
Two 4"x12" reversing cylinders; nitrided rods
Three hinge anchor points
Hydraulic pipes
20.5" x 7" poly hold down blocks
Mounting hardware
Parts-installation manual
Hose kit and J-50 type relief valve
3/4" solid hanger plates
Grease line kit with manifolds
45 degree angles on both sides
Serrated bar grating step on back side of moldboard on left side
Ends of scraper painted orange
Carbide curb guards are included
Scraper mounting height set up for carbide cutting edges

Install Monroe 9 ft mid mounted Paraglide patrol wing including the following:

Captive wing moldboard/ banjo plate assembly
Paraglide wing post mounted behind the scraper
Twin rear mounted, cushioned push arms with rear lift cylinder to operate the heel
Moldboard is break formed 3/16 steel with 3/4" x 4"x4" bottom angle
Moldboard is powder coated standard orange
D type rubber bumper stop mounted on side of body
Safety pin at rear
5"x7" rear cross tube for rear wing support
Sequencing valve with hoses and couplers
LED marker light installed at the end of the wing mounted in a stainless light box
Reverse curved steel cutting edge
Work light mounted on side of chassis for wing illumination
1 pair of moldboard shoes installed on the wing cutting edge

Install fuel tank/hydraulic tank/ assembly including the following:

Stainless steel construction
100 gallon fuel capacity/38 gal oil capacity.
Suction strainer installed in supply port
Ball valve shut off on hydraulic tank for case drain and supply ports
Ball valve shut offs on fuel supply and return lines
Zinga type return filter mounted in hydraulic tank
Low oil sensor mounted in hydraulic tank
Mounting bracket with straps
7 gauge type 201 stainless steel tank construction
Electronic fuel gauge sending unit
Step mounted at the end of the fuel tank

St. County Road Commission Bid Spec For 66,000 GVW Plow Truck

Lighting includes the following:

- Install plow lights with aluminum plow light brackets
- Height of lights to be 80"- verify with customer if lights need to be adjustable for height
- Install 3 hole light boxes at the rear
- Sound off Flashers on the top and bottom holes
- Wire rear flashers to a separate switch and install a relay so that when the brakes are applied, the power to the flashers is interrupted
- Install sound off led stt lights in middle holes and led backup lights in dump body corner posts
- Install Sound Off 3207LCA lights on cab shield with stainless steel guards
- Install ECVML252Y led amber marker lights at the front of the body on each side
- Install ECVML252R red led markers at the rear
- Install 4" round led stt lights and 4" round led backup lights at the rear hitch plate
- Install proximity switch for body up light
- Install 112 dcb backup alarm
- Install Maxxima LED work light at rear of dump for sander
- Install Maxxima LED work lights on each side for the scraper
- Install Maxxima LED wing light
- Install junction box at the rear for wire termination
- Install conspicuity tape on dump body and at the rear
- Wire OEM shut down switch to the cab marker lights so the lights are on when the disconnect switch is on**
- Install fire extinguisher and triangle kit**

Install PH45 rear mounted pintle hook including the following:

- 45 ton capacity
- ¾" hitch mounting plate
- D rings for safety chains
- Plate light installed at rear
- Install 112 DCB backup alarm
- Tow hooks installed at the rear
- Electronic brake controller
- 7 way round trailer plug
- Two air lines with glad hands to the rear

Install Roll Rite electric tarp system including the following:

- Aluminum tarp and tension bows
- 30 degree elbows for tarp arms
- 4 spring mounted springs for tarp arms
- Direct drive motor assembly
- Aluminum wind deflector
- Mesh type tarp cover

Install Retroreflective Sheeting including the following:

- Dump body shall have 3 inch retroreflective sheeting applied to its surfaces as follows:
- Shall meet 49CFR571.108 specifications
- Sides of dump truck body shall have a horizontal strip of sheeting, originating and terminating as close to the front and rear ends as practicable
- The strip will be started with the white section towards the front of the truck and shall be continuous where possible

St. County Road Commission Bid Spec For 66,000 GVW Plow Truck

The edge of the red and white sheeting will not be located any closer than 3 inches to red or amber lamps
There shall be 2-1/2 inch front and rear marker lights on each side of the body:

- (1) Amber on front sides of body, (Sound-Off ECVML252R)
- (1) Red on rear sides of body (Sound-Off ECVML252Y)

Install Monroe Model MS966-OW-DD/201 tailgate spreader including the following:

- 201 stainless steel Anti- flow cover and spill kit included
- Extended side plates
- Stainless steel hydraulic disconnects
- Direct drive motor with coupler
- Application rate sensor built into the motor
- Parallelogram mounted rear spinner with poly disc.
- Spreader will be unpainted type 201 stainless steel construction

Install Force America hydraulic system and control system including the following:

- Force 100 CC piston pump, ccw rot, load sense
- Low oil shut down valve and override circuit
- 1310 series drive
- 2" pump flange on supply port of pump
- Pump mounting bracket

Force Add-Fold-Valve including electric sections including the following:

- Scraper up/down
- Scraper swing
- Front plow
- Front Plow angle
- Dump box with 500 PSI A- port load sense relief
- Front Plow angle
- Dump box with 500 PSI A- port load sense relief
- Right wing up/down
- 3 way EPC section for conveyor
- 2 way EPC section for spinner
- 2 way EPC section for Prewet
- Stainless steel valve enclosure

Install MPJC-6100EX-4-Ultra 6100EX 4 stick proportional mini joystick controllers including the following:

- Joystick 1 is hoist up/down
- Joystick 2 is scraper up/down, scraper swing
- Joystick 3 is right wing up and down
- Joystick 4 is plow up/ down, plow swing

Force control console switches include the following:

- Switch One is tarp up/ tarp down
- Switch Two is front flashers
- Switch Three is rear flashers
- Switch Four is wing flashers
- Switch Five is low oil shut down/ over ride

Chassis switches will be used for the following

- Sander work light
- Wing work light
- Scraper work light
- Air operated tailgate

**St. County Road Commission Bid Spec
For 66,000 GVW Plow Truck**

All necessary hoses and fittings
All couplers will be Parker stainless steel
Includes sander circuit plumbed to the rear of the chassis with stainless steel pipe
Reverse circuit wired into wing up and scraper up circuits

**Install Force wireless temp sensor on left mirror and wired into the controller
Monroe model LDS-455 Hydraulic Liquid Dispensing System:**

NEMA weather-tight fiberglass pump enclosure with hydraulic 7 GPM pump assembly
Glass filled polypropylene plumbing components
Black EPDM hoses, 150 PSI
5 PSI in-line check valve for spray bar
Choice of spray nozzles mounted in the spinner housing or spray bar mounted in auger trough
Low liquid level indicator with light and switch
Weather pack connections on harnessing
140 gallon pre-wet tank mounted on the tailgate
Stainless steel mounting brackets and straps
Bulk fill kit, flusher kit

Install tow hooks at front and rear of chassis

Install vertical green whip light on the end of the wing

Dealer items include the following:

Auxiliary switches
Electrical disconnect switch
24" front frame extension
Front of engine PTO
Stationary gill
Plow light/ headlight switch
Tractor package with wiring to the rear
SCR/DPF behind the cab on right side

Warranty:

Warranty on all items installed is minimum 1 year parts and labor.
Extended warranty items are as following: Warranty for Dump body and hoist is 100% parts and labor for 3 years with an additional 2 years at 50% parts and labor. Warranty for LED lighting is 5 years parts and labor

1. Bidder shall include detailed warranty information with the bid proposal Yes No
2. To be considered equal to this, all bidders must supply a published manufacturers' warranty document
Yes No
3. All hardware and fasteners shall be electronically plated and corrosion resistant Yes No
4. Manufacturer shall provide caution labels, decals and any warnings deemed necessary Yes No
5. **Bidder shall include detailed warranty information with the bid proposal** Yes No
6. **Warranties shall begin on the St. Clair County Road Commission In-Service Date of the truck**
Yes No
7. **Winning bidder will supply pickup and delivery service or onsite repair for all warranty issues**
8. Yes No

LIST INDIVIDUAL WARRANTIES ON THE LINE PROVIDED. ALL WARRANTIES TO INCLUDE PARTS AND LABOR

1. Underbody warranty period Standard _____ year(s) Extended warranty _____ years Cost \$ _____
2. Spreader warranty period Standard _____ year(s) Extended warranty _____ years Cost \$ _____

St. County Road Commission Bid Spec For 66,000 GVW Plow Truck

- | | | | | |
|-----|--------------------------------------|------------------------|-------------------------------|---------------|
| 3. | Dump box warranty period | Standard _____ year(s) | Extended warranty _____ years | Cost \$ _____ |
| 4. | Hoist warranty period | Standard _____ year(s) | Extended warranty _____ years | Cost \$ _____ |
| 5. | Controller warranty period | Standard _____ year(s) | Extended warranty _____ years | Cost \$ _____ |
| 6. | Pre-wet system warranty period | Standard _____ year(s) | Extended warranty _____ years | Cost \$ _____ |
| 7. | Hydraulic system warranty period | Standard _____ year(s) | Extended warranty _____ years | Cost \$ _____ |
| 8. | Lighting / Strobes warranty period | Standard _____ year(s) | Extended warranty _____ years | Cost \$ _____ |
| 9. | Installation / labor warranty period | Standard _____ year(s) | Extended warranty _____ years | Cost \$ _____ |
| 10. | Other _____ | Standard _____ year(s) | Extended warranty _____ years | Cost \$ _____ |

MANUALS - CDS - SPARE PARTS - TRAINING

1. One Complete set of any required filters; shall be delivered PER UNIT Yes No
2. Manuals and CDs– 2 Parts books, 1 Service Manual, 1 Operator Manual PER UNIT Yes No
3. **Note: If manuals and CDs are combined sets, then supply two manuals and CDs per unit**
 Included in the above-described manuals and CDs shall be drawings and prints of:
 - **Electrical** Yes No
 - **Hydraulic** Yes No
 - **Pneumatic** Yes No
 - **Mechanical** Yes No
4. Mechanic, operator training shall be provided at the SCCRC Facility Yes No
5. Recommended spare parts list to be provided with part numbers Yes No
6. Consignment inventory of critical spare parts for the period of the given warranty Yes No
7. A spare parts manual and spare parts list with part numbers to be supplied at time of delivery of unit
Yes No
8. Service/ Operators manuals must be furnished at time of delivery of unit Yes No

DELIVERY / PRICING

- **FOB CENTRAL SERVICE CENTER, 21 AIRPORT DRIVE. ST CLAIR, MICHIGAN 48079**
- **INDICATE TIME OF DELIVERY AFTER AWARDING OF BID _____ WEEKS**
- **ANY OR ALL BIDS MAY BE REJECTED BY THE BOARD OF COUNTY ROAD COMMISSIONERS OF ST. CLAIR COUNTY.**

PRICING INCLUDES: CAB/CHASSIS, BODY, HYDRAULIC SYSTEM, UNDERBODY SCRAPER, WING, CONTROLLER, SPREADER, PREWET SYSTEM, LIGHTING PACKAGES, ALL LABOR AND 7-YEAR ENGINE WARRANTY

Price

ONE (1) TANDEM-AXLE PLOW TRUCK

\$

SUBMITTED BY: _____ DATE _____

SIGNATURE: _____ TITLE: _____

COMPANY: _____

ADDRESS: _____

TELEPHONE: _____ E-MAIL: _____