

**St. County Road Commission Bid Spec
For 50,000 GVW Plow Truck**

NOTICE IS HEREBY GIVEN THAT SEALED PROPOSALS ARE SOUGHT AND REQUESTED FOR THE FOLLOWING:

BID NAME: ONE (1) 2020 4700SB WESTERN STAR SINGLE-AXLE PLOW TRUCK

BID OPENING:	DECEMBER 21, 2018 – 1:00 PM. LOCAL PREVAILING TIME.
---------------------	--

CONTACT PERSON: Deborah Martin – Administrative Assistant for Operations

PLACE OF OPENING: St. Clair County Road Commission
21 Airport Drive, St. Clair, MI 48079

PHONE: 810-364-5720

Vendors must submit their Bid in a sealed envelope. Please print the following on the face of the envelope:

- Name and address of the bidder
- Bid Name – **“ONE (1) 2020 4700SB WESTERN STAR SINGLE-AXLE PLOW TRUCK”**

PROVISIONS

1. You are urged to mail your bid in early. Late bids will not be accepted and will be returned unopened to the vendor
2. Proposals must be submitted on the forms provided by the St. Clair County Road Commission. Forms are to be filled out in their entirety. No substitutions allowed.
3. The submission of this bid certifies that the bidder has read, is familiar with, and will comply with any and all segments of these specifications as described below.
4. Bids that do not have all the applicable lines filled in on the bid sheet may be disqualified as a non-responsive bid. We will not assume that the product meets specification when lines are left blank. If it is necessary to bid alternate equipment or to take exceptions to the specifications as set forth, this must be so stated in your bid. For each item, please place an X on the appropriate line to signify whether or not you are in complete compliance with the specification. Failure to follow the format or answer the specification may cause your bid to be disqualified. If you need extra space to describe your product, please feel free to attach extra sheets. When doing this, be sure your description references the appropriate question number. Any exceptions to the specifications, lines marked “No”, must be fully explained in the comment section and will only be considered if advantageous to the St. Clair County Road Commission
5. The bidder must submit with their bid, detailed specifications and necessary information (product literature) on the item(s) bid.
6. The bid will be awarded to the vendor that supplies the bid items that is in the best interest of the St. Clair County Road Commission
7. The Board of County Road Commissioners of St. Clair County reserves the right to reject any or all bids, waive any irregularities, or to make the award in part or its entirety.
8. This equipment is to be delivered FOB to St. Clair County Road Commission, 21 Airport Drive, St. Clair, MI 48079.
9. **Regulations**
 1. All products must meet all applicable Local, State, and Federal regulations. Yes No

**St. County Road Commission Bid Spec
For 50,000 GVW Plow Truck**

10. Warranty

Standard limited warranty will be required of the manufacturer of the products that shall be:

1. All items shall be guaranteed for a minimum period of one (1) year against defective parts and workmanship. Yes No
2. All defective parts and labor are the obligation of the vendor during this period Yes No
3. Copy of warranty should accompany bid documents. Yes No

If defects occur during this time, the defective product shall be replaced or corrected by the contractor without cost to the County except where it shall be clearly shown that the defect is due to misuse and not to faulty manufacture or installation.

11. Guarantee

1. The bidder guarantees that the item(s) offered is standard new product. Yes No

12. Fair employment practices

THE CONTRACTOR AGREES THAT HE WILL NOT DISCRIMINATE AGAINST ANY EMPLOYEE OR APPLICANT FOR EMPLOYMENT, TO BE EMPLOYED IN THE PERFORMANCE OF THIS CONTRACT WITH RESPECT TO HIS HIRE, TENURE, TERMS, CONDITIONS OR PRIVILEGES OF EMPLOYMENT OR ANY MATTER DIRECTLY OR INDIRECTLY RELATED TO EMPLOYMENT BECAUSE OF HIS AGE, EXCEPT WHEN BASED ON A BONA FIDE OCCUPATION QUALIFICATION OR BECAUSE OF HIS RACE, COLOR, RELIGION, NATIONAL ORIGIN OR ANCESTRY (ACT NO. 251 P.A. 1955, AS AMENDED).

13. Payment

Before payment of the final estimate or payment of any retainage, the Road Commission will ascertain that the work has been performed in accordance with the plans and specifications or with such modifications thereof as may have been approved.

Payment cannot be processed by the Road Commission until all contract items have been delivered in satisfactory condition with an invoice referring to the Purchase Order Number and mailed to / billed to the address indicated on the Purchase Order.

If agreed specifications are not met, the St. Clair County Road Commission reserves the right to hold payment until concerns are addressed and final agreement is settled.

14. Notice

The **ST. CLAIR COUNTY ROAD COMMISSION** in accordance with Title VI of the Civil Rights Acts of 1964, 78-252, 42 U.S.C. 2000d-222d-4, the Civil Rights Act of 1987, P.L. 100-259, and Title 49, Code of Federal Regulations, Department of Transportation, subtitle A, Office of the Secretary, Part 21, Non-discrimination in federally assisted programs of the Department of Transportation issued pursuant to such Act, hereby notifies all bidders that it will affirmatively insure that in any contract entered into pursuant to this advertisement, Disadvantaged Business Enterprise firms will be afforded full opportunity to submit bids in response to this invitation and will not be discriminated against on the grounds of Race, Color Sex, Age, National Origin, or Handicap in consideration for an award.

**St. County Road Commission Bid Spec
For 50,000 GVW Plow Truck**

**SECTION I – GENERAL SPECIFICATIONS FOR ONE (1) 50,000 GVW
SINGLE-AXLE PLOW TRUCK**

		Description		Yes	No
Price Level					
		WESTERN STAR 4700 PRL-18T (EFF:04/14/18)			
Data Version					
		SPECPRO21 DATA RELEASE VER 032			
Vehicle Configuration					
		4700 SET-BACK FRONT AXLE CHASSIS			
		2020 MODEL YEAR SPECIFIED			
		SET BACK AXLE - TRUCK			
		TRAILER TOWING PROVISION AT END OF FRAME FOR TRUCK			
		LH PRIMARY STEERING LOCATION			
General Service					
		TRUCK/TRAILER CONFIGURATION			
		DOMICILED, USA 50 STATES (INCLUDING CALIFORNIA AND CARB OPT-IN STATES)			
		CONSTRUCTION SERVICE			
		GOVERNMENT BUSINESS SEGMENT			
		DRY BULK COMMODITY			
		TERRAIN/DUTY: 100% (ALL) OF THE TIME, IN TRANSIT, IS SPENT ON PAVED ROADS			
		MAXIMUM 8% EXPECTED GRADE			
		SMOOTH CONCRETE OR ASPHALT PAVEMENT - MOST SEVERE IN-TRANSIT (BETWEEN SITES) ROAD SURFACE			
		WESTERN STAR SEVERE SERVICE WARRANTY			
		EXPECTED FRONT AXLE(S) LOAD : 20000.0 lbs			
		EXPECTED REAR DRIVE AXLE(S) LOAD : 30000.0 lbs			
		EXPECTED GROSS VEHICLE WEIGHT CAPACITY : 50000.0 lbs			
		EXPECTED GROSS COMBINATION WEIGHT : 80000.0 lbs			
Truck Service					
		FRONT PLOW/END DUMP BODY			

**St. County Road Commission Bid Spec
For 50,000 GVW Plow Truck**

		Description		Yes	No
Engine					
		DETROIT DD13 12.8L 450 HP @ 1625 RPM, 1900 GOV RPM, 1650 LB/FT @ 975 RPM			
Electronic Parameters					
		65 MPH ROAD SPEED LIMIT			
		PTO MODE ENGINE RPM LIMIT - 900 RPM			
		PTO MODE BRAKE OVERRIDE - SERVICE BRAKE APPLIED OR PARK BRAKE NOT APPLIED			
		PTO RPM WITH CRUISE SET SWITCH - 900 RPM			
		PTO RPM WITH CRUISE RESUME SWITCH - 900 RPM			
		PTO MODE CANCEL VEHICLE SPEED - 5 MPH			
		PTO MODE RPM INCREMENT - 25 RPM			
		PTO GOVERNOR RAMP RATE - 250 RPM PER SECOND			
		ONE REMOTE PTO SPEED			
		PTO SPEED 1 SETTING - 900 RPM			
		SOFT CRUISE CONTROL ENABLED			
		PTO MINIMUM RPM - 900			
Engine Equipment					
		2016 ONBOARD DIAGNOSTICS/2010 EPA/CARB/FINAL GHG17 CONFIGURATION			
		2008 CARB EMISSION CERTIFICATION - CLEAN IDLE (INCLUDES 6X4 INCH LABEL ON LOWER FORWARD CORNER OF DRIVER DOOR)			
		STANDARD OIL PAN			
		ENGINE MOUNTED OIL CHECK AND FILL			
		ONE PIECE VALVE COVER			
		SIDE OF HOOD AIR INTAKE WITH FIREWALL MOUNTED DONALDSON AIR CLEANER WITH SAFETY ELEMENT AND INSIDE/OUTSIDE AIR WITH SNOW DOOR			
		DR 12V 160 AMP 28-SI QUADRAMOUNT PAD ALTERNATOR WITH REMOTE BATTERY VOLT SENSE			
		(3) DTNA GENUINE, AGM STARTING AND CYCLING, MIN 2190CCA, 570RC, THREADED STUD BATTERIES			
		PASSENGER SEAT BATTERY BOX VENTED TO OUTSIDE OF CAB			
		BATTERY BOX MOUNTED UNDER PASSENGER SEAT			
		WIRE GROUND RETURN FOR BATTERY CABLES WITH ADDITIONAL FRAME GROUND RETURN			
		PLASTIC BATTERY BOX COVER			

**St. County Road Commission Bid Spec
For 50,000 GVW Plow Truck**

		Description		Yes	No
		BW MODEL BA-921 19.0 CFM SINGLE CYLINDER AIR COMPRESSOR WITH SAFETY VALVE			
		AIR COMPRESSOR DISCHARGE LINE			
		ELECTRONIC ENGINE INTEGRAL SHUTDOWN PROTECTION SYSTEM			
		JACOBS COMPRESSION BRAKE			
		RH OUTBOARD FRAME MOUNTED VERTICAL AFTERTREATMENT SYSTEM ASSEMBLY WITH TOPSTACK			
		ENGINE AFTERTREATMENT DEVICE, AUTOMATIC OVER THE ROAD REGENERATION AND DASH MOUNTED REGENERATION REQUEST SWITCH			
		11 FOOT 06 INCH (138 INCH+0/-5.9 INCH) EXHAUST SYSTEM HEIGHT			
		RH CURVED TOPSTACK			
		13 GALLON DIESEL EXHAUST FLUID TANK			
		100 PERCENT DIESEL EXHAUST FLUID FILL			
		STANDARD DIESEL EXHAUST FLUID PUMP MOUNTING			
		LH MEDIUM DUTY STANDARD DIESEL EXHAUST FLUID TANK LOCATION			
		STAINLESS STEEL AFTERTREATMENT DEVICE/MUFFLER/TAIPIPE SHIELD			
		BORG WARNER (KYSOR) REAR AIR ON/OFF ENGINE FAN CLUTCH			
		AUTOMATIC FAN CONTROL WITH DASH SWITCH AND INDICATOR LIGHT, NON ENGINE MOUNTED			
		DDC SUPPLIED ENGINE MOUNTED FUEL FILTER/FUEL WATER SEPARATOR WITH WATER-IN-FUEL INDICATOR			
		FULL FLOW OIL FILTER			
		1500 SQUARE INCH ALUMINUM RADIATOR			
		MOUNTING FOR FIREWALL MOUNTED SURGE TANK			
		ANTIFREEZE TO -34F, OAT (NITRITE AND SILICATE FREE) EXTENDED LIFE COOLANT			
		GATES BLUE STRIPE COOLANT HOSES OR EQUIVALENT			
		CONSTANT TENSION HOSE CLAMPS FOR COOLANT HOSES			
		HDEP FIXED RATIO COOLANT PUMP AND RADIATOR DRAIN VALVE			
		NO RADIATOR/OIL PAN GUARD			
		1350 ADAPTER FLANGE FOR FRONT PTO PROVISION			

**St. County Road Commission Bid Spec
For 50,000 GVW Plow Truck**

		Description		Yes	No
		PHILLIPS-TEMRO 1500 WATT/115 VOLT BLOCK HEATER			
		PHILLIPS-TEMRO 300 WATT/115 VOLT OIL PREHEATER			
		CHROME ENGINE HEATER RECEPTACLE MOUNTED UNDER LH DOOR			
		ALUMINUM FLYWHEEL HOUSING			
		DELCO 12V MOD 3.175-39MT+ OCP STARTER WITH THERMAL PROTECTION AND INTEGRATED MAGNETIC SWITCH			
Transmission					
		ALLISON 4500 RDS AUTOMATIC TRANSMISSION WITH PTO PROVISION			
Transmission Equipment					
		ALLISON VOCATIONAL PACKAGE 223 - AVAILABLE ON 3000/4000 PRODUCT FAMILIES WITH VOCATIONAL MODELS RDS, HS, MH AND TRV			
		ALLISON VOCATIONAL RATING FOR ON/OFF HIGHWAY APPLICATIONS AVAILABLE WITH ALL PRODUCT FAMILIES			
		PRIMARY MODE GEARS, LOWEST GEAR 1, START GEAR 1, HIGHEST GEAR 6, AVAILABLE FOR 3000/4000 PRODUCT FAMILIES ONLY			
		SECONDARY MODE GEARS, LOWEST GEAR 1, START GEAR 1, HIGHEST GEAR 6, AVAILABLE FOR 3000/4000 PRODUCT FAMILIES ONLY			
		PRIMARY SHIFT SCHEDULE RECOMMENDED BY DTNA AND ALLISON, THIS DEFINED BY ENGINE AND VOCATIONAL USAGE			
		SECONDARY SHIFT SCHEDULE RECOMMENDED BY DTNA AND ALLISON, THIS DEFINED BY ENGINE AND VOCATIONAL USAGE			
		PRIMARY SHIFT SPEED RECOMMENDED BY DTNA AND ALLISON, THIS DEFINED BY ENGINE AND VOCATIONAL USAGE			
		SECONDARY SHIFT SPEED RECOMMENDED BY DTNA AND ALLISON, THIS DEFINED BY ENGINE AND VOCATIONAL USAGE			
		LOAD BASED SHIFT SCHEDULE AND VEHICLE ACCELERATION CONTROL RECOMMENDED BY DTNA AND ALLISON, THIS DEFINED VOCATIONAL USAGE			
		BODY LIGHTING INTERFACE BLUNT CUT WIRING WITH FUSE PANEL WIRE MOUNTED BETWEEN DRIVER AND PASSENGER SEATS			
		CUSTOMER INSTALLED CHELSEA 277 SERIES PTO			

**St. County Road Commission Bid Spec
For 50,000 GVW Plow Truck**

		Description		Yes	No
		PTO MOUNTING, LH SIDE OF MAIN TRANSMISSION			
		MAGNETIC PLUGS, ENGINE DRAIN, TRANSMISSION DRAIN, AXLE(S) FILL AND DRAIN			
		ELECTRONIC CONTROL SHIFT LEVER, TUNNEL/FLOOR MOUNTED			
		TRANSMISSION PROGNOSTICS - ENABLED 2013			
		WATER TO OIL TRANSMISSION COOLER, FRAME MOUNTED			
		TRANSMISSION OIL CHECK AND FILL WITH ELECTRONIC OIL LEVEL CHECK			
		SYNTHETIC TRANSMISSION FLUID (TES-295 COMPLIANT)			
Front Axle and Equipment					
		DETROIT DA-F-20.0-5 20,000# FL1 71.0 KPI/3.74 DROP SINGLE FRONT AXLE			
		MERITOR 16.5X6 Q+ CAST SPIDER CAM FRONT BRAKES, DOUBLE ANCHOR, FABRICATED SHOES			
		NON-ASBESTOS FRONT BRAKE LINING			
		CONMET CAST IRON FRONT BRAKE DRUMS			
		FRONT BRAKE DUST SHIELDS			
		FRONT OIL SEALS			
		VENTED FRONT HUB CAPS WITH WINDOW, CENTER AND SIDE PLUGS - OIL			
		STANDARD SPINDLE NUTS FOR ALL AXLES			
		HALDEX AUTOMATIC FRONT SLACK ADJUSTERS			
		STANDARD KING PIN BUSHINGS			
		TRW THP-60 POWER STEERING WITH RCH45 AUXILIARY GEAR			
		POWER STEERING PUMP			
		4 QUART POWER STEERING RESERVOIR			
		OIL/AIR POWER STEERING COOLER			
		SYNTHETIC 50W FRONT AXLE LUBE			
Front Suspension					
		20,000# FLAT LEAF FRONT SUSPENSION			
		GRAPHITE BRONZE BUSHINGS WITH SEALS - FRONT SUSPENSION			
		FRONT SHOCK ABSORBERS			
Rear Axle and Equipment					
		RS-30-185 30,000# U-SERIES SINGLE REAR AXLE			

**St. County Road Commission Bid Spec
For 50,000 GVW Plow Truck**

		Description		Yes	No
		5.63 REAR AXLE RATIO			
		IRON REAR AXLE CARRIER WITH STANDARD AXLE HOUSING			
		MXL 18T MERITOR EXTENDED LUBE MAIN DRIVELINE WITH HALF ROUND YOKES			
		DRIVER CONTROLLED TRACTION DIFFERENTIAL - SINGLE REAR AXLE			
		(1) DRIVER CONTROLLED DIFFERENTIAL LOCK REAR VALVE FOR SINGLE DRIVE AXLE			
		INDICATOR LIGHT FOR EACH DRIVER CONTROLLED TRACTION DEVICE SWITCH			
		MERITOR 16.5X7 P CAST SPIDER CAM REAR BRAKES, DOUBLE ANCHOR, CAST SHOES			
		NON-ASBESTOS REAR BRAKE LINING			
		BRAKE CAMS AND CHAMBERS ON FORWARD SIDE OF DRIVE AXLE(S)			
		WEBB CAST IRON REAR BRAKE DRUMS			
		REAR BRAKE DUST SHIELDS			
		REAR OIL SEALS			
		BENDIX EVERSURE LONGSTROKE 1-DRIVE AXLE SPRING PARKING CHAMBERS			
		HALDEX AUTOMATIC REAR SLACK ADJUSTERS			
		SYNTHETIC 75W-90 REAR AXLE LUBE			
Rear Suspension					
		30,000# FLAT LEAF SPRING REAR SUSPENSION WITH HELPER AND RADIUS ROD			
		SPRING SUSPENSION - NO AXLE SPACERS			
		STANDARD AXLE SEATS IN AXLE CLAMP GROUP			
		FORE/AFT CONTROL RODS			
Brake System					
		WABCO 4S/4M ABS WITH TRACTION CONTROL, WITH ATC OFF-ROAD SWITCH			
		REINFORCED NYLON, FABRIC BRAID AND WIRE BRAID CHASSIS AIR LINES			
		FIBER BRAID PARKING BRAKE HOSE			
		STANDARD BRAKE SYSTEM VALVES			
		RELAY VALVE WITH 5-8 PSI CRACK PRESSURE, NO REAR PROPORTIONING VALVE			
		WABCO SYSTEM SAVER HP WITH INTEGRAL AIR GOVERNOR AND HEATER			
		AIR DRYER MOUNTED OUTBOARD ON LH RAIL			
		STEEL AIR BRAKE RESERVOIRS MOUNTED INSIDE RAIL			

**St. County Road Commission Bid Spec
For 50,000 GVW Plow Truck**

		Description		Yes	No
		PULL CABLE ON WET TANK, PETCOCK DRAIN VALVES ON ALL OTHER AIR TANKS			
Trailer Connections					
		AIR CONNECTIONS TO END OF FRAME WITH GLAD HANDS FOR TRUCK AND NO DUST COVERS			
		PRIMARY CONNECTOR/RECEPTACLE WIRED FOR SEPARATE STOP/TURN, ABS CENTER PIN POWERED THROUGH IGNITION			
		SAE J560 7-WAY PRIMARY TRAILER CABLE RECEPTACLE MOUNTED END OF FRAME			
Wheelbase & Frame					
		4625MM (182 INCH) WHEELBASE			
		1/2X3.64X11-7/8 INCH STEEL FRAME (12.7MMX301.6MM/0.5X11.88 INCH) 120KSI			
		PARTIAL INNER FRAME REINFORCEMENT AT FRONT SUSPENSION			
		BODY COMPANY INSTALLED ADDITIONAL FRONT FRAME REINFORCEMENT FOR SNOW PLOW			
		2025MM (80 INCH) REAR FRAME OVERHANG			
		FRAME OVERHANG RANGE: 71 INCH TO 80 INCH			
		24 INCH INTEGRAL FRONT FRAME EXTENSION			
		CALC'D BACK OF CAB TO REAR SUSP C/L (CA) : 118.79 in			
		CALCULATED EFFECTIVE BACK OF CAB TO REAR SUSPENSION C/L (CA) : 100.92 in			
		CALC'D FRAME LENGTH - OVERALL : 331.41			
		CALC'D SPACE AVAILABLE FOR DECKPLATE : 118.69 in			
		CALCULATED FRAME SPACE LH SIDE : 49.44 in			
		CALCULATED FRAME SPACE RH SIDE : 192.79 in			
		SQUARE END OF FRAME			
		STANDARD WEIGHT ENGINE CROSSMEMBER			
		STANDARD CROSSMEMBER BACK OF TRANSMISSION			
		STANDARD MIDSHIP #1 CROSSMEMBER(S)			
		STANDARD REARMOST CROSSMEMBER			
		HEAVY DUTY SUSPENSION CROSSMEMBER			
		STANDARD WEIGHT REAR SUSPENSION CROSSMEMBER			
Chassis Equipment					

**St. County Road Commission Bid Spec
For 50,000 GVW Plow Truck**

		Description		Yes	No
		OMIT FRONT BUMPER, CUSTOMER INSTALLED SPECIAL BUMPER, DOES NOT COMPLY WITH FMCSR 393.203			
		FRONT TOW HOOKS - FRAME MOUNTED			
		FRONT ANTI-SPRAY CAB MOUNTED MUDFLAPS			
		GRADE 8 THREADED HEX HEADED FRAME FASTENERS			
		EXTERIOR HARNESSSES WRAPPED IN ABRASION TAPE			
		27X17X11 INCH PLAIN STEP BOX WITH REMOVABLE COVER FOR CAB ENTRY WITH HIGH GROUND CLEARANCE			
		SINGLE TOOL/STORAGE BOX #1 FRAME MOUNTED LH SIDE UNDER CAB			
		27X17X11 INCH PLAIN STEP BOX WITH REMOVABLE COVER FOR CAB ENTRY WITH HIGH GROUND CLEARANCE			
		SINGLE TOOL/STORAGE BOX #2 FRAME MOUNTED RH SIDE UNDER CAB			
Fuel Tanks					
		60 GALLON/227 LITER ALUMINUM FUEL TANK - LH			
		25 INCH DIAMETER FUEL TANK(S)			
		PLAIN ALUMINUM/PAINTED STEEL FUEL/HYDRAULIC TANK(S) WITH PAINTED BANDS			
		FUEL TANK(S) FORWARD			
		PLAIN STEP FINISH			
		FUEL TANK CAP(S)			
		DAVCO 487 FUEL/WATER SEPARATOR WITH ESOC			
		EQUIFLO INBOARD FUEL SYSTEM			
		HIGH TEMPERATURE REINFORCED NYLON FUEL LINE			
		NO FUEL COOLER			
Tires					
		MICHELIN X WORKS Z 315/80R22.5 20 PLY RADIAL FRONT TIRES			
		MICHELIN XDS 12R22.5 16 PLY RADIAL REAR TIRES			
Hubs					
		CONMET PRESET PLUS PREMIUM IRON FRONT HUBS			
		WEBB IRON REAR HUBS			
Wheels					

**St. County Road Commission Bid Spec
For 50,000 GVW Plow Truck**

		Description		Yes	No
		ACCURIDE 29039 22.5X9.00 10-HUB PILOT 5.25 INSET 5-HAND STEEL DISC FRONT WHEELS			
		ACCURIDE 28828 22.5X8.25 10-HUB PILOT 2-HAND HD STEEL DISC REAR WHEELS			
		FRONT WHEEL MOUNTING NUTS			
		REAR WHEEL MOUNTING NUTS			
Cab Exterior					
		110 INCH BBC STEEL CONVENTIONAL CAB			
		WESTERN STAR PAINTED ALUMINUM CAB SKIRT			
		AIR CAB MOUNTS WITH CHECK VALVE			
		STAINLESS STEEL SILL PLATES			
		NONREMOVABLE BUGSCREEN MOUNTED BEHIND GRILLE			
		FRONT FENDERS			
		2 INCH FENDER EXTENSIONS			
		LH AND RH EXTERIOR GRAB HANDLES WITH RUBBER INSERTS AND RH INTERIOR GRAB HANDLE MOUNTED TO A POST			
		STATIONARY BRIGHT FINISH GRILLE			
		CHROME HOOD MOUNTED AIR INTAKE GRILLE			
		GALVANEALD STEEL SEVERE SERVICE CAB			
		FIBERGLASS HOOD			
		DUAL HADLEY SD-978 26 INCH RECTANGULAR AIR HORNS			
		SINGLE ELECTRIC HORN			
		DUAL HORN SHIELDS			
		DOORS AND IGNITION KEYED THE SAME (3 KEYS)			
		REAR LICENSE PLATE MOUNT END OF FRAME			
		DUAL AMBER ELECTRONIC STROBE LIGHTS WITH STAINLESS STEEL BRACKETS			
		SINGLE RECTANGULAR SEALED BEAM HEADLIGHTS WITH BRIGHT BEZELS			
		(5) AMBER MARKER LIGHTS			
		WIRING AND SWITCH FOR CUSTOMER FURNISHED SNOW PLOW LAMPS WITH DUAL CONNECTIONS AT BUMPER			
		INTEGRAL STOP/TAIL/BACKUP LIGHTS			
		STANDARD FRONT TURN SIGNAL LAMPS			
		DUAL STAINLESS STEEL HEATED MIRRORS			
		DOOR MOUNTED MIRRORS			
		102 INCH EQUIPMENT WIDTH			

**St. County Road Commission Bid Spec
For 50,000 GVW Plow Truck**

		Description		Yes	No
		LH AND RH 8 INCH STAINLESS STEEL CONVEX MIRRORS MOUNTED BELOW PRIMARY MIRRORS			
		RH DOWN VIEW MIRROR			
		STANDARD SIDE/REAR REFLECTORS			
		STAINLESS STEEL EXTERIOR SUN VISOR			
		17.5X35 INCH TINTED REAR WINDOW			
		TINTED DOOR GLASS			
		RH ELECTRIC AND LH MANUAL WINDOWS			
		2-PIECE TINTED CURVED GASKET MOUNTED WINDSHIELD			
		2 GALLON WINDSHIELD WASHER RESERVOIR WITHOUT FLUID LEVEL INDICATOR, MOUNTED UNDER CAB, WITH REMOTE FILL			
Cab Interior					
		GRAY VINYL BASE INTERIOR			
		BLACK HARD TRIM			
		BASE LEFT HAND DOOR TRIM			
		BASE RIGHT HAND DOOR TRIM			
		BLACK MATS WITH DOUBLE INSULATION			
		DASH MOUNTED ASH TRAY AND LIGHTER, DRIVER SIDE			
		FORWARD ROOF MOUNTED CONSOLE			
		PASSENGER SIDE WING DASH MOUNTED GLOVE BOX WITH LOCKING DOOR			
		LH AND RH DOOR MAP POCKETS			
		(2) COAT HOOKS ON BACKWALL OF CAB			
		(1) DOUBLE CUP HOLDER WITH CELL PHONE HOLDER LH OR RH DASH			
		TWO-TONE CHARCOAL UPPER/COOL GRAY LOWER SOFT TOUCH WING DASH WITH BLACK DRIVER SIDE COSMETIC UNDER DASH COVER			
		(1) DASH MOUNTED WINDSHIELD FAN			
		HEATER, DEFROSTER AND AIR CONDITIONER WITH CONSTANT TEMPERATURE CONTROL AND COSMETIC COVER			
		HVAC DUCTING WITH FOAM MAIN FRESH AIR FILTER AND OUTSIDE PRE-FILTER			
		MAIN HVAC CONTROLS WITH RECIRCULATION SWITCH			
		STANDARD HEATER PLUMBING			
		DENSO HEAVY DUTY AIR CONDITIONER COMPRESSOR			
		RADIATOR MOUNTED AIR CONDITIONER CONDENSER			

**St. County Road Commission Bid Spec
For 50,000 GVW Plow Truck**

		Description		Yes	No
		BINARY CONTROL, R-134A			
		ADDITIONAL CAB SIDEWALL INSULATION			
		AUTOMATIC SELF-RESET CIRCUIT BREAKER IN MAIN DASH POWER DISTRIBUTION BOX AND CIRCUIT BREAKER/FUSE IN AUXILIARY POWER DISTRIBUTION BOXES			
		DOOR ACTIVATED DOME LIGHT, UNDER DASH LIGHT AND LH AND RH DOOR MOUNTED COURTESY LIGHTS			
		CAB DOOR LATCHES WITH MANUAL DOOR LOCKS			
		PREMIUM HIGH BACK AIR SUSPENSION DRIVER SEAT WITH 3 CHAMBER AIR LUMBAR, INTEGRATED CUSHION EXTENSION, FORWARD AND REAR CUSHION TILT, ADJUSTABLE SHOCK ABSORBER			
		BATTERY BOX MID BACK NON SUSPENSION PASSENGER SEAT			
		DUAL DRIVER SEAT ARMRESTS, NO PASSENGER SEAT ARMRESTS			
		BLACK CORDURA PLUS CLOTH DRIVER SEAT COVER			
		BLACK CORDURA PLUS CLOTH PASSENGER SEAT COVER			
		3 POINT HIGH VISIBILITY ORANGE RETRACTOR DRIVER AND PASSENGER SEAT BELTS			
		ADJUSTABLE TILT AND TELESCOPING STEERING COLUMN			
		2-SPOKE 18 INCH (450MM) BLACK STEERING WHEEL(S)			
		DRIVER AND PASSENGER INTERIOR SUN VISORS			
Instruments & Controls					
		NON-ADJUSTABLE SUSPENDED PEDALS			
		STAR GAUGES WITH BLACK BEZELS			
		BLACK DRIVER INSTRUMENT PANEL			
		BLACK CENTER INSTRUMENT PANEL			
		LOW AIR PRESSURE INDICATOR LIGHT AND AUDIBLE ALARM			
		2 INCH PRIMARY AND SECONDARY AIR PRESSURE GAUGES			
		FILTERMINDER DASH MOUNTED AIR RESTRICTION GAUGE			
		87 DB TO 112 DB SELF-ADJUSTING BACKUP ALARM			
		CRUISE CONTROL SWITCHES IN THE CENTER PANEL			

**St. County Road Commission Bid Spec
For 50,000 GVW Plow Truck**

		Description		Yes	No
		KEY OPERATED IGNITION SWITCH AND INTEGRAL START POSITION; 4 POSITION OFF/RUN/START/ACCESSORY			
		WARNING LAMP/LIGHT BAR DISPLAY, NON-DATA LINKED			
		HEAVY DUTY ONBOARD DIAGNOSTICS INTERFACE CONNECTOR LOCATED BELOW LH DASH			
		2 INCH ELECTRIC FUEL GAUGE			
		FUEL FILTER RESTRICTION INDICATOR			
		PROGRAMMABLE RPM CONTROL - ELECTRONIC ENGINE			
		ELECTRICAL ENGINE COOLANT TEMPERATURE GAUGE			
		2 INCH TRANSMISSION OIL TEMPERATURE GAUGE			
		OUTSIDE AIR TEMPERATURE GAUGE WITH FAHRENHEIT AND CELSIUS DISPLAY MOUNTED IN DASH			
		ELECTRIC ENGINE OIL PRESSURE GAUGE			
		AM/FM/WB WORLD TUNER RADIO WITH BLUETOOTH AND USB AND AUXILIARY INPUTS, J1939			
		ROOF/OVERHEAD CONSOLE MOUNTED RADIO			
		(4) RADIO SPEAKERS IN CAB			
		AM/FM ANTENNA MOUNTED ON LH FRONT A-PILLAR			
		POWER AND GROUND WIRING FOR CB RADIO IN OVERHEAD CONSOLE			
		MULTI-BAND AM/FM/WB/CB LH MIRROR MOUNTED ANTENNA SYSTEM			
		ELECTRONIC MPH SPEEDOMETER WITH SECONDARY KPH SCALE, WITH ODOMETER			
		STANDARD VEHICLE SPEED SENSOR			
		ELECTRONIC 3000 RPM TACHOMETER WITH HOUR METER			
		VT-HU CONNECTIVITY PLATFORM HARDWARE			
		2 YEARS DETROIT CONNECT BASE PACKAGE (VIRTUAL TECHNICIAN, DETROIT CONNECT PORTAL ACCESS) FOR VT-HU CONNECTIVITY PLATFORM			
		IGNITION SWITCH CONTROLLED ENGINE STOP			
		FOUR IGNITION CONTROLLED EXTRA SWITCHES WITH INDICATOR LIGHT, 20 AMPS, WIRED BEHIND PASSENGER SEAT			
		WIRE TO EOF, LABEL (1) BLADE, (1) WING, (1) SANDER, (1) TAIL GATE			

**St. County Road Commission Bid Spec
For 50,000 GVW Plow Truck**

		Description	Yes	No
		BW TRACTOR PROTECTION VALVE		
		TRAILER HAND CONTROL BRAKE VALVE		
		2 INCH VOLTMETER		
		SINGLE ELECTRIC WINDSHIELD WIPER MOTOR WITH DELAY		
		CAB MARKER LIGHT AND HEADLIGHT SWITCH WITH SEPARATE SWITCH AND TERMINALS FOR CUSTOMER FURNISHED SNOW PLOW LIGHTS AND TURN SIGNALS		
		TWO VALVE PARKING BRAKE SYSTEM WITH DASH VALVE CONTROL AUTONEUTRAL AND WARNING INDICATOR		
		VSM NON CANCELING TURN SIGNAL SWITCH WITH INTEGRAL HEADLAMP DIMMER WITH BRAKE OVERRIDE		
		PACIFIC INSIGHT ELECTRONIC FLASHER		
Design				
		PAINT: ONE SOLID COLOR		
Color				
		CAB COLOR A: L6460EB SCHOOL BUS YELLOW ELITE BC		
		CAB INTERIOR PAINTED SAME AS CAB COLOR		
		BLACK, HIGH SOLIDS POLYURETHANE CHASSIS PAINT		
		POWDER WHITE (N0006EA) FRONT WHEELS/RIMS (PKWHT21, TKWHT21, W, TW)		
		POWDER WHITE (N0006EA) REAR WHEELS/RIMS (PKWHT21, TKWHT21, W, TW)		
		UNDER CAB AND INTERIOR CAB FLOOR UNDERCOATING		
Certification / Compliance				
		U.S. FMVSS CERTIFICATION, EXCEPT SALES CABS AND GLIDER KITS		
Weight Summary				
		Weight Front	Weight Rear	Total Weight
	Factory Weight (estimated)	10757 lbs	5661 lbs	16418 lbs
	Dealer Installed Options	0 lbs	0 lbs	0 lbs
	Total Weight (estimated)	10757 lbs	5661 lbs	16418 lbs
Miscellaneous				
		2016 OBD/2010 EPA/CARB/GHG17 ESCALATOR		
		2 YEARS DETROIT CONNECT BASE PACKAGE (VIRTUAL TECHNICIAN, DETROIT CONNECT PORTAL ACCESS)		
		MODEL YEAR 2020 WST ESCALATOR		

**St. County Road Commission Bid Spec
For 50,000 GVW Plow Truck**

		Description	Yes	No
		STANDARD DESTINATION CHARGE		
		ONE COMPLETE SET OF ALL REQUIRED FILTERS; SPARE BELTS SHALL BE DELIVERED PER UNIT		
		DEALER TO PROVIDE DETAILED FACTORY BUILD SHEET (BOM) PER UNIT		
		MANUALS – 2 PARTS BOOKS, 1 SERVICE MANUAL AND 1 OPERATOR MANUAL PER UNIT - ELECTRONICALLY		
		INCLUDED IN THE ABOVE DESCRIBED MANUALS SHALL BE ENGINE, CHASSIS, TRANSMISSION, DIFFERENTIALS, ELECTRICAL		
		DIAGNOSTIC INTERFACE CONNECTOR TO BE 6-PIN, SAE J1587/1708 LOCATED BELOW DASH		
		ENGINE DIAGNOSTIC, TRANSMISSION DIAGNOSTIC, OPERATOR TRAINING SHALL BE PROVIDED AT THE SCCRC FACILITY		
		ALL DIAGNOSTIC SOFTWARE AND ISIS FOR ENGINE AND TRUCK		
Warranties				
		EW4 DD13 VOC \$0 DEDUCTIBLE 7 YEARS/250,000 MILES FULL COVERAGE		
		TOWING: 5 YEARS/UNLIMITED MILES/KM EXTENDED TOWING COVERAGE \$550 CAP FEX APPLIES		
		TRUCK SHALL COME WITH A CATEGORY II ON-HIGHWAY – MINIMUM 1 YEAR UNLIMITED WARRANTY		
		ENGINE WARRANTY PERIOD SHALL BE SEVEN (7) YEARS OR 250,000 MILES WITH ZERO DEDUCTABLE – EW4 INC AFTER TREATMENT		
		TRANSMISSION WARRANTY SHALL BE FIVE (5) YEARS OR 200,000 MILES		
		DIFFERENTIAL WARRANTY SHALL BE MINIMUM THREE (3) YEARS, 300,000 MILES		
		BODY RUST THROUGH WARRANTY SHALL BE FIVE (5) YEARS, 500,000 MILES		
		FRAME RAIL WARRANTY PROVIDED SHALL BE FIVE (5) YEARS OR 500.000 MILES		
		BIDDER SHALL INCLUDE DETAILED WARRANTY INFORMATION WITH THE BID PROPOSAL		
		ALL WARRANTIES SHALL BEGIN ON THE ST. CLAIR COUNTY ROAD COMMISSION IN-SERVICE DATE OF THE TRUCK		
		WINNING BIDDER WILL SUPPLY PICKUP AND DELIVERY SERVICE FOR ALL WARRANTY ISSUES		

Category II On-highway Truck warranty period.... Standard ____ year(s)
 Extended warranty ____ years Cost \$ _____
 Extended / roadside service warranty..... Standard ____ year(s)
 Extended warranty ____ years Cost \$ _____
 Engine Warranty period..... Standard ____ year(s)
 Extended warranty ____ years Cost \$ _____

St. County Road Commission Bid Spec For 50,000 GVW Plow Truck

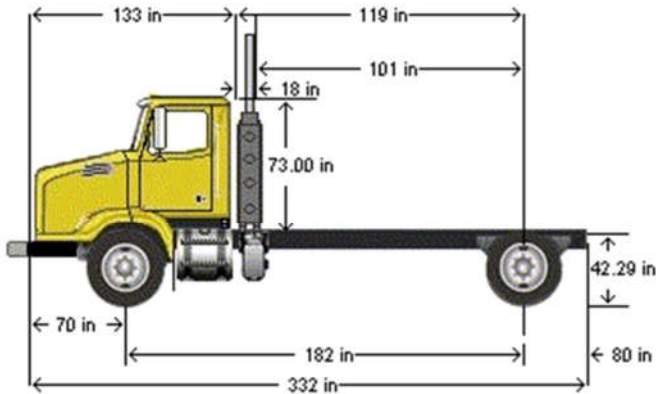
Transmission warranty period.....	Standard ____ year(s)	
Extended warranty ____ years	Cost \$ _____	
Differential Warranty period.....	Standard ____ year(s)	
Extended warranty ____ years	Cost \$ _____	
Body rust through Warranty period.....	Standard ____ year(s)	
Extended warranty ____ years	Cost \$ _____	
Frame rail warranty period.....	Standard ____ year(s)	
Extended warranty ____ years	Cost \$ _____	
Air Compressor.....	Standard ____ year(s)	
Extended warranty ____ years	Cost \$ _____	
Other _____	Standard ____ year(s)	
Extended warranty ____ years	Cost \$ _____	

Dealer Installed Options

	Yes	No
ELECTRIC BRAKE CONTROLLER WIRED TO EOF		
FLAMING RIVER BATTERY DISCONNECT MOUNTED ON PASSENGER SEAT		

Total Dealer Installed Options

D I M E N S I O N S



St. County Road Commission Bid Spec For 50,000 GVW Plow Truck

VEHICLE SPECIFICATIONS SUMMARY - DIMENSIONS

Model 4700SB
 Wheelbase (545) 4625MM (182 INCH) WHEELBASE
 Rear Frame Overhang (552) 2025MM (80 INCH) REAR FRAME OVERHANG
 Fifth Wheel (578) NO FIFTH WHEEL
 Mounting Location (577) NO FIFTH WHEEL LOCATION
 Maximum Forward Position (in) 0
 Maximum Rearward Position (in) 0
 Amount of Slide Travel (in) 0
 Slide Increment (in) 0
 Desired Slide Position (in) 0.0
 Cab Size (829) 110 INCH BBC STEEL CONVENTIONAL CAB
 Sleeper (682) NO SLEEPER BOX/SLEEPER CAB
 Exhaust System (016) RH OUTBOARD FRAME MOUNTED VERTICAL AFTERTREATMENT SYSTEM ASSEMBLY WITH TOPSTACK

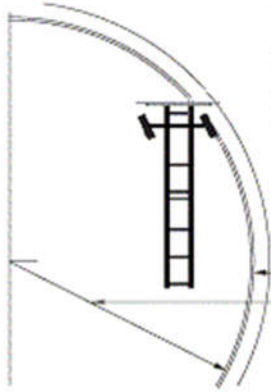
TABLE SUMMARY - DIMENSIONS

Dimensions	Inches
Bumper to Back of Cab (BBC)	133.2
Bumper to Centerline of Front Axle (BA)	69.9
Min. Cab to Body Clearance (CB)	3.0
Back of Cab to Centerline of Rear Axle(s) (CA)	118.8
Effective Back of Cab to Centerline of Rear Axle(s) (Effective CA)	100.9
Back of Cab Protrusions (Exhaust/Intake) (CP)	17.9
Back of Cab Protrusions (Side Extenders/Trim Tab) (CP)	0.0
Back of Cab Protrusions (CNG Tank)	0.0
Back of Cab Clearance (CL)	17.9
Back of Cab to End of Frame	198.5
Cab Height (CH)	73.0
Wheelbase (WB)	182.1
Frame Overhang (OH)	80.0
Overall Length (OAL)	331.7
Rear Axle Spacing	0.0
Unladen Frame Height at Centerline of Rear Axle	42.3

Performance calculations are estimates only. If performance calculations are critical, please contact Customer Application Engineering.

St. County Road Commission Bid Spec For 50,000 GVW Plow Truck

TURNING RADIUS



Turning radius graphic and data provided strictly for comparisons between model configurations. Weather, road surfaces, and tire treads affect the results. It is strongly suggested that actual vehicles be measured before constructing any roads/driveways using this information. For specific figures regarding your configuration, please contact your CAE representative.

	Dimensions	Tolerance
Wall to Wall Diameter (ft)	72.7	+/- 3.0
Curb to Curb Diameter (ft)	64.3	+/- 3.0
Turning Radius (ft)	31.6	+/- 1.5

VEHICLE SPECIFICATIONS SUMMARY - TURNING RADIUS

Model	4700SB
Cab Size (829).....	110 INCH BBC STEEL CONVENTIONAL CAB
Wheelbase (545)	4625MM (182 INCH) WHEELBASE
Front Tires (093).....	MICHELIN X WORKS Z 315/80R22.5 20 PLY RADIAL FRONT TIRES
Width (in).....	12.5
Front Axle (400).....	DETROIT DA-F-20.0-5 20,000# FL1 71.0 KPI/3.74 DROP SINGLE FRONT AXLE
Kingpin Intersection (in)	71
Bumper (556)	OMIT FRONT BUMPER, CUSTOMER INSTALLED SPECIAL BUMPER, DOES NOT COMPLY WITH FMCSR 393.203
Width (in).....	96
Bumper Miter to Front Axle (in)	93.927
Primary Steering Location (003)	LH PRIMARY STEERING LOCATION
Steering Gear (536).....	TRW THP-60 POWER STEERING WITH RCH45 AUXILIARY GEAR
Dual Steering Gear	RCH45
Ram.....	NONE
Rear Axle (420)	RS-30-185 30,000# U-SERIES SINGLE REAR AXLE
Axle Spacing (624)	NO AXLE SPACING

Performance calculations are estimates only. If performance calculations are critical, please contact Customer Application Engineering.

**St. County Road Commission Bid Spec
For 50,000 GVW Plow Truck**

F R A M E R B M

VEHICLE SPECIFICATIONS SUMMARY - FRAME RBM

Wheelbase (545)4625MM (182 INCH) WHEELBASE
 Frame Rails (546)..... 1/2X3.64X11-7/8 INCH STEEL FRAME (12.7MMX301.6MM/0.5X11.88 INCH) 120KSI(546)
 Yield Strength (psi) 120000
 Section Modulus (per rail) (cu in) 26.26
 RBM (per rail) (lbf-in) 3204000
 Inner Frame Reinforcement (547).....PARTIAL INNER FRAME REINFORCEMENT AT FRONT SUSPENSION
 Outer Frame Reinforcement (548) ..BODY COMPANY INSTALLED ADDITIONAL FRONT FRAME REINFORCEMENT FOR SNOW PLOW

TABLE SUMMARY - FRAME RBM

Item	Description / Value
Wheelbase	4625MM (182 INCH) WHEELBASE
Frame	1/2X3.64X11-7/8 INCH STEEL FRAME (12.7MMX301.6MM/0.5X11.88 INCH) 120KSI
Inner Frame Reinforcement	PARTIAL INNER FRAME REINFORCEMENT AT FRONT SUSPENSION
Outer Frame Reinforcement	BODY COMPANY INSTALLED ADDITIONAL FRONT FRAME REINFORCEMENT FOR SNOW PLOW
Yield Strength (psi)	120000
Section Modulus - per rail (cu. in.)	26.70
Frame RBM - per rail (lbf-in)	3204000

Performance calculations are estimates only. If performance calculations are critical, please contact Customer Application Engineering.

**St. County Road Commission Bid Spec
For 50,000 GVW Plow Truck**

**SECTION II – BODY INTEGRATION - GENERAL SPECIFICATIONS FOR
50,000 GVW SYSTEM**

This specification shall describe **conventional dump body with a cross-memberless understructure**. Bidders must submit with their bid literature and complete specifications on the unit they propose to furnish. The body and hoist must be part of a standard product line, as described in published company literature. This is to ensure engineering integrity and parts availability.

Install Crysteel 10' Crysteel Select Dump body including the following:

- Body sides and ends are constructed of 7 gauge type 201 stainless steel
- Side height is 26", tailgate height is 36"
- Western 12" I-beam type understructure
- Body floor is ¼" AR400
- Air operated tailgate
- Tailgate is 9 panel construction with 2 intermediate horizontal braces and 2 vertical intermediate braces and a boxed perimeter with 201 tailgate lift loop
- Tapered, 3 hole, light boxes on outside corner posts of dump body to house tail lights, and flashing LED lights
- ½ cab shield constructed of 7 gauge type 201 stainless steel is included
- Grip strut steps mounted inside the dump body
- Install mud flaps in front of and behind drive tires
- Dump body will be unpainted stainless steel. Body longitudinal and bottom of floor will be painted black.
- Proximity switch for body up light is included
- 3" wide Side boards painted black included
- Fold down ladder included
- Steps inside the body are also included

Install Marathon M 5390 DA hoist including the following:

- Greaseable rear hinge and replaceable rear pin
- Hoist is double acting in all stages
- Chrome cylinder walls
- Oscillating cradle

Install 34" Husting plow portion hitch including the following:

- Channel front bumper with tapered ends
- 3" DA lift cylinder
- All necessary supports and braces
- Install cushion valve for plow power reverse circuit
- Chain box installed behind front bumper
- Stainless steel hydraulic couplers as per spec for front plow disconnect
- Install rubber bumper for hood stops

Install Monroe Model MS4512 underbody scraper including the following:

- Updated scraper hinge/ hangerboard assembly**
- Moldboard has 45 degree angles on ends
- Serrated bar grating step on back side of moldboard on left side
- Ends of scraper painted orange
- 1" thick x 20" high moldboard
- ½" thick hanger board with grease manifold brackets installed

St. County Road Commission Bid Spec For 50,000 GVW Plow Truck

2-1/2" O.D. hinge shaft
Two heavy duty shock absorbers
Bolt in trunion caps for canisters; Outer arm remains bolt on style
Two 3-1/2" x 10" actuating cylinders; nitrided rods
Cushion valve
1" solid circle with 5" center pin
Center pin is piloted into hanger board
Two 4"x12" reversing cylinders; nitrided rods
Three hinge anchor points
Hydraulic pipes
20.5" x 7" poly hold down blocks
Mounting hardware
Parts-installation manual
Hose kit and J-50 type relief valve
3/4" solid hanger plates
Grease line kit with manifolds
45 degree angles on both sides
Serrated bar grating step on back side of moldboard on left side
Ends of scraper painted orange
Carbide curb guards are included
Scraper mounting height set up for carbide cutting edges

Install Monroe 7 ft mid mounted Paraglide junior wing including the following:

Captive wing moldboard/ banjo plate assembly
Paraglide wing post mounted behind the scraper
Single rear mounted, cushioned push arms
Moldboard is break formed 3/16 steel with 3/4" x 4"x4" bottom angle
Moldboard is powder coated standard orange
D type rubber bumper stop mounted on side of body
Safety pin at rear
5"x7" rear cross tube for rear wing support
Sequencing valve with hoses and couplers
LED marker light installed at the end of the wing mounted in a stainless light box
Reverse curved steel cutting edge
Work light mounted on side of chassis for wing illumination
1 pair of moldboard shoes installed on the wing cutting edge

Install fuel tank/hydraulic tank/ assembly including the following:

Stainless steel construction
100 gallon fuel capacity/38 gal oil capacity.
Suction strainer installed in supply port
Ball valve shut off on hydraulic tank for case drain and supply ports
Ball valve shut offs on fuel supply and return lines
Zinga type return filter mounted in hydraulic tank
Low oil sensor mounted in hydraulic tank
Mounting bracket with straps
7 gauge type 201 stainless steel tank construction
Electronic fuel gauge sending unit
Step mounted at the end of the fuel tank

St. County Road Commission Bid Spec For 50,000 GVW Plow Truck

Lighting includes the following:

- Install plow lights with aluminum plow light brackets
- Height of lights to be 80"- verify with customer if lights need to be adjustable for height
- Install 3 hole light boxes at the rear
- Sound off Flashers on the top and bottom holes
- Wire rear flashers to a separate switch and install a relay so that when the brakes are applied, the power to the flashers is interrupted
- Install sound off led stt lights in middle holes and led backup lights in dump body corner posts
- Install Sound Off 3207LCA lights on cab shield with stainless steel guards
- Install ECVML252Y led amber marker lights at the front of the body on each side
- Install ECVML252R red led markers at the rear
- Install 4" round led stt lights and 4" round led backup lights at the rear hitch plate
- Install proximity switch for body up light
- Install 112 dcb backup alarm
- Install Maxxima LED work light at rear of dump for sander
- Install Maxxima LED work lights on each side for the scraper
- Install Maxxima LED wing light
- Install junction box at the rear for wire termination
- Install conspicuity tape on dump body and at the rear
- Wire OEM shut down switch to the cab marker lights so the lights are on when the disconnect switch is on**
- Install fire extinguisher and triangle kit**

Install PH45 rear mounted pintle hook including the following:

- 45 ton capacity
- ¾" hitch mounting plate
- D rings for safety chains
- Plate light installed at rear
- Install 112 DCB backup alarm
- Tow hooks installed at the rear
- Electronic brake controller
- 7 way round trailer plug
- Two air lines with glad hands to the rear

Install Roll Rite electric tarp system including the following:

- Aluminum tarp and tension bows
- 30 degree elbows for tarp arms
- 3 spring mounted springs for tarp arms
- Direct drive motor assembly
- Aluminum wind deflector
- Mesh type tarp cover

Install Retroreflective Sheeting including the following:

- Dump body shall have 3 inch retroreflective sheeting applied to its surfaces as follows:
- Shall meet 49CFR571.108 specifications
- Sides of dump truck body shall have a horizontal strip of sheeting, originating and terminating as close to the front and rear ends as practicable
- The strip will be started with the white section towards the front of the truck and shall be continuous where possible

St. County Road Commission Bid Spec For 50,000 GVW Plow Truck

The edge of the red and white sheeting will not be located any closer than 3 inches to red or amber lamps
There shall be 2-1/2 inch front and rear marker lights on each side of the body:

- (1) Amber on front sides of body, (Sound-Off ECVML252R)
- (1) Red on rear sides of body (Sound-Off ECVML252Y)

Install Monroe Model MS966-OW-DD/201 tailgate spreader including the following:

- 201 stainless steel Anti- flow cover and spill kit included
- Extended side plates
- Stainless steel hydraulic disconnects
- Direct drive motor with coupler
- Application rate sensor built into the motor
- Parallelogram mounted rear spinner with poly disc.
- Spreader will be unpainted type 201 stainless steel construction

Install Force America hydraulic system and control system including the following:

- Force 100 CC piston pump, ccw rot, load sense
- Low oil shut down valve and override circuit
- 1310 series drive
- 2" pump flange on supply port of pump
- Pump mounting bracket

Force Add-Fold-Valve including electric sections including the following:

- Scraper up/down
- Scraper swing
- Front plow
- Front Plow angle
- Dump box with 500 PSI A- port load sense relief
- Front Plow angle
- Dump box with 500 PSI A- port load sense relief
- Right wing up/down
- 3 way EPC section for conveyor
- 2 way EPC section for spinner
- 2 way EPC section for Prewet
- Stainless steel valve enclosure

Install MPJC-6100EX-4-Ultra 6100EX 4 stick proportional mini joystick controllers including the following:

- Joystick 1 is hoist up/down
- Joystick 2 is scraper up/down, scraper swing
- Joystick 3 is right wing up and down
- Joystick 4 is plow up/ down, plow swing

Force control console switches include the following:

- Switch One is tarp up/ tarp down
- Switch Two is front flashers
- Switch Three is rear flashers
- Switch Four is wing flashers
- Switch Five is low oil shut down/ over ride

Chassis switches will be used for the following

- Sander work light
- Wing work light
- Scraper work light
- Air operated tailgate

St. County Road Commission Bid Spec For 50,000 GVW Plow Truck

All necessary hoses and fittings
All couplers will be Parker stainless steel
Includes sander circuit plumbed to the rear of the chassis with stainless steel pipe
Reverse circuit wired into wing up and scraper up circuits

Install Force wireless temp sensor on left mirror and wired into the controller Monroe model LDS-455 Hydraulic Liquid Dispensing System:

NEMA weather-tight fiberglass pump enclosure with hydraulic 7 GPM pump assembly
Glass filled polypropylene plumbing components
Black EPDM hoses, 150 PSI
5 PSI in-line check valve for spray bar
Choice of spray nozzles mounted in the spinner housing or spray bar mounted in auger trough
Low liquid level indicator with light and switch
Weather pack connections on harnessing
140 gallon pre-wet tank mounted on the tailgate
Stainless steel mounting brackets and straps
Bulk fill kit, flusher kit

Install tow hooks at front and rear of chassis

Install vertical green whip light on the end of the wing

Dealer items include the following:

Auxiliary switches
Electrical disconnect switch
24" front frame extension
Front of engine PTO
Stationary gill
Plow light/ headlight switch
Tractor package with wiring to the rear
SCR/DPF behind the cab on right side

Warranty:

Warranty on all items installed is minimum 1 year parts and labor.

Extended warranty items are as following: Warranty for Dump body and hoist is 100% parts and labor for 3 years with an additional 2 years at 50% parts and labor. Warranty for LED lighting is 5 years parts and labor

1. Bidder shall include detailed warranty information with the bid proposal Yes No
2. To be considered equal to this, all bidders must supply a published manufacturers' warranty document
Yes No
3. All hardware and fasteners shall be electronically plated and corrosion resistant Yes No
4. Manufacturer shall provide caution labels, decals and any warnings deemed necessary Yes No
5. **Bidder shall include detailed warranty information with the bid proposal** Yes No
6. **Warranties shall begin on the St. Clair County Road Commission In-Service Date of the truck**
Yes No
7. **Winning bidder will supply pickup and delivery service or onsite repair for all warranty issues**
8. Yes No

LIST INDIVIDUAL WARRANTIES ON THE LINE PROVIDED. ALL WARRANTIES TO INCLUDE PARTS AND LABOR

1. Underbody warranty period Standard _____ year(s) Extended warranty _____ years Cost \$ _____
2. Spreader warranty period Standard _____ year(s) Extended warranty _____ years Cost \$ _____

St. County Road Commission Bid Spec For 50,000 GVW Plow Truck

- | | | | | |
|-----|--------------------------------------|------------------------|-------------------------------|---------------|
| 3. | Dump box warranty period | Standard _____ year(s) | Extended warranty _____ years | Cost \$ _____ |
| 4. | Hoist warranty period | Standard _____ year(s) | Extended warranty _____ years | Cost \$ _____ |
| 5. | Controller warranty period | Standard _____ year(s) | Extended warranty _____ years | Cost \$ _____ |
| 6. | Pre-wet system warranty period | Standard _____ year(s) | Extended warranty _____ years | Cost \$ _____ |
| 7. | Hydraulic system warranty period | Standard _____ year(s) | Extended warranty _____ years | Cost \$ _____ |
| 8. | Lighting / Strobes warranty period | Standard _____ year(s) | Extended warranty _____ years | Cost \$ _____ |
| 9. | Installation / labor warranty period | Standard _____ year(s) | Extended warranty _____ years | Cost \$ _____ |
| 10. | Other _____ | Standard _____ year(s) | Extended warranty _____ years | Cost \$ _____ |

MANUALS - CDS - SPARE PARTS - TRAINING

1. One Complete set of any required filters; shall be delivered PER UNIT Yes No
2. Manuals and CDs– 2 Parts books, 1 Service Manual, 1 Operator Manual PER UNIT Yes No
3. **Note: If manuals and CDs are combined sets, then supply two manuals and CDs per unit**
 Included in the above-described manuals and CDs shall be drawings and prints of:
 - **Electrical** Yes No
 - **Hydraulic** Yes No
 - **Pneumatic** Yes No
 - **Mechanical** Yes No
4. Mechanic, operator training shall be provided at the SCCRC Facility Yes No
5. Recommended spare parts list to be provided with part numbers Yes No
6. Consignment inventory of critical spare parts for the period of the given warranty Yes No
7. A spare parts manual and spare parts list with part numbers to be supplied at time of delivery of unit
Yes No
8. Service/ Operators manuals must be furnished at time of delivery of unit Yes No

DELIVERY / PRICING

- **FOB CENTRAL SERVICE CENTER, 21 AIRPORT DRIVE. ST CLAIR, MICHIGAN 48079**
- **INDICATE TIME OF DELIVERY AFTER AWARDING OF BID _____ WEEKS**
- **ANY OR ALL BIDS MAY BE REJECTED BY THE BOARD OF COUNTY ROAD COMMISSIONERS OF ST. CLAIR COUNTY.**

PRICING INCLUDES: CAB/CHASSIS, BODY, HYDRAULIC SYSTEM, UNDERBODY SCRAPER, WING, CONTROLLER, SPREADER, PREWET SYSTEM, LIGHTING PACKAGES, ALL LABOR AND 7-YEAR ENGINE WARRANTY

	Price
ONE (1) SINGLE-AXLE PLOW TRUCK	\$

SUBMITTED BY: _____ DATE _____

SIGNATURE: _____ TITLE: _____

COMPANY: _____

ADDRESS: _____

TELEPHONE: _____ E-MAIL: _____